



Single-Row / Double-Row LED Light Bar 600 S-Series Installation Manual

PN : 611SS/621SS/631SS
612SD/622SD/642SD/652SD

Component parts

Single-row type (611SS/621SS/631SS)

No.	Part name	No. of pcs	No.	Part name	No. of pcs
①	Lamp [611SS/621SS] (Guard Emblem included)	1	⑤	Hex socket screw (M6 x 20)	4
	Lamp [631SS] (2 Guard Emblems included)		⑥	Plain washer (M6)	4
②	Harness (relay, switch, fuse box included)	1	⑦	Spring washer (M6)	4
③	Bracket L	1	⑧	Hex nut (M6)	2
④	Bracket R	1	⑨	Hex wrench (#5)	1

Double-row type (612SD/622SD/642SD/652SD)

No.	Part name	No. of pcs	No.	Part name	No. of pcs
①	Lamp [612SD/622SD] (Guard Emblem included)	1	⑥	Plain washer (M8)	2
	Lamp [642SD] (2 Guard Emblems included)		⑦	Spring washer (M8)	2
	Lamp [652SD] (3 Guard Emblems included)		⑧	Hex socket screw (M6 x 20)	4
②	Harness (relay, switch, fuse box included)	1	⑨	Plain washer (M6)	4
③	Bracket L	1	⑩	Spring washer (M6)	4
④	Bracket R	1	⑪	Hex nut (M6)	4
⑤	Hex socket screw (M8 x 20)	2	⑫	Hex wrench (#5)	1

Specifications

Single-row type (611SS/621SS/631SS)

PN	Inch	Power consumption	Fuse	Operating voltage	Operating temperature	Weight (bracket included)	
611SS	10	12V	40W	10V~16V	-30°C~+75°C	700g	
621SS	20		87W			10A	1,100g
631SS	30		132W			20A	1,600g

Double-row type (612SD/622SD/642SD/652SD)

PN	Inch	Power consumption	Fuse	Operating voltage	Operating temperature	Weight (bracket included)	
612SD	10	12V	49W	10V~16V	-30°C~+75°C	1,000g	
622SD	20		100W			15A	1,650g
642SD	40		210W			20A	2,900g
652SD	50		278W			30A	3,500g

How to wire



Before the installation work, you must remove the (-) terminal of the battery. If the vehicle mounts 2 batteries, remove both (-) terminals.



Install the relay and harness in a position where it will not make contact with high temperature surface. (Such as engine, radiators, or supercharger, exhaust pipes.)



All the connectors and terminals should be solidly connected.



Do not pull strongly the harness and connectors.



Install the harness and cords in a position where it will not be scratched, bent or pressed such as in moving parts (Pedals / Wires / Doors / Belts / Pulleys). In some cases, it may cause the vehicle to catch fire.



Harness and cords should be securely tied by cable ties or tapes.

1. Connect each component part as shown in the Fig. 1. Remove the wires from the switch if the switch harness passes through into the vehicle. Reconnect the wires to the switch. Refer to How to connect in the Fig. 1.

⚠ WARNING

Strictly follow the cautionary points mentioned above. Incorrect or faulty wiring may cause the vehicle to catch fire.

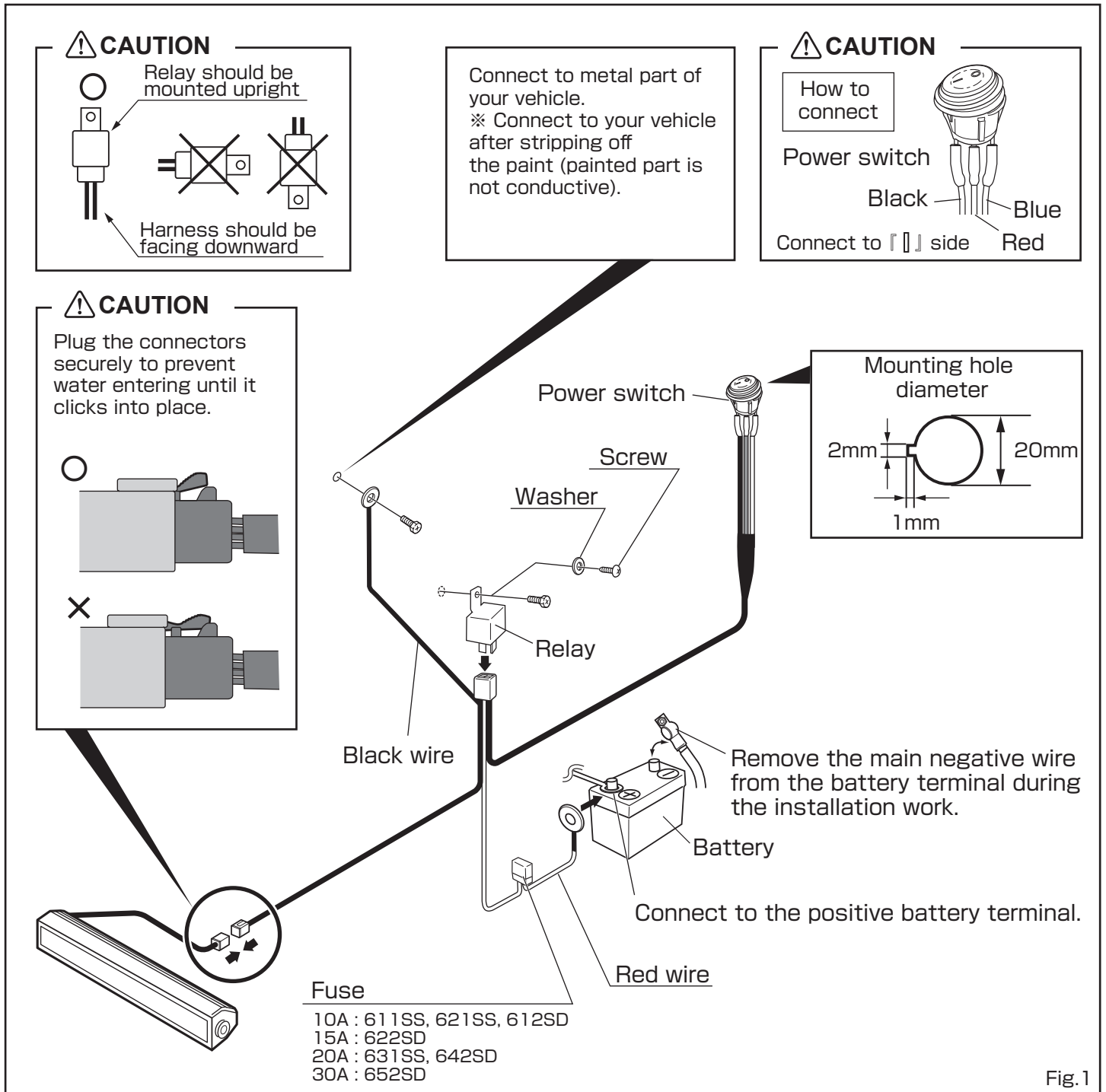
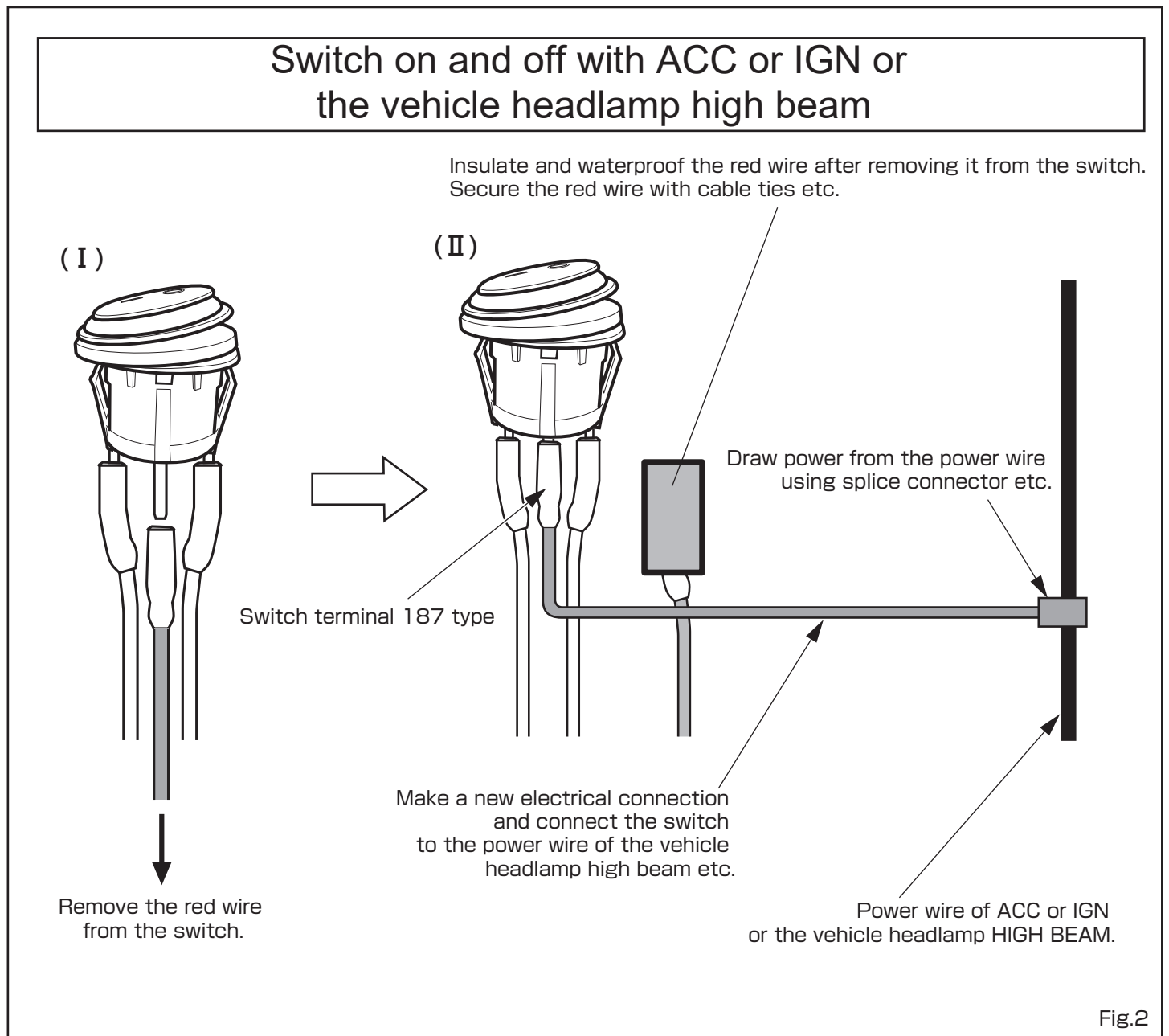


Fig. 1

2. Connect the switch to the power wire of the vehicle headlamp high beam etc. Refer to the Fig. 2.



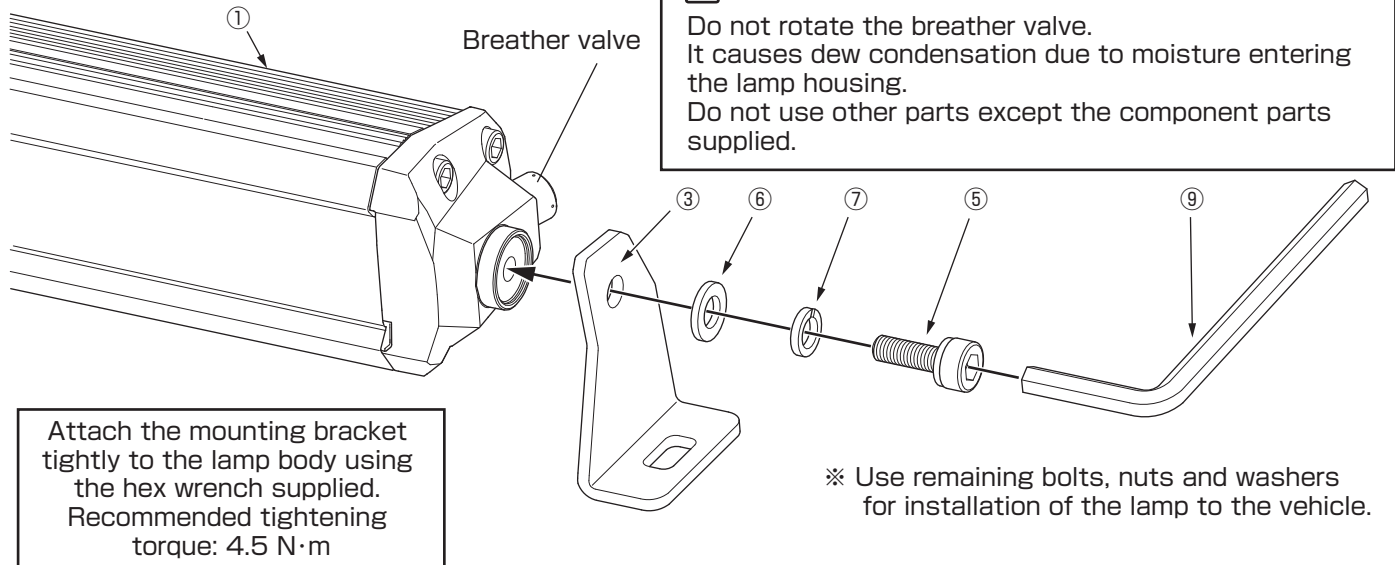
How to attach brackets



Install with the nut, bolt and screw where there is enough strength to support the bracket. Incorrect installment might result in the lamp falling off.

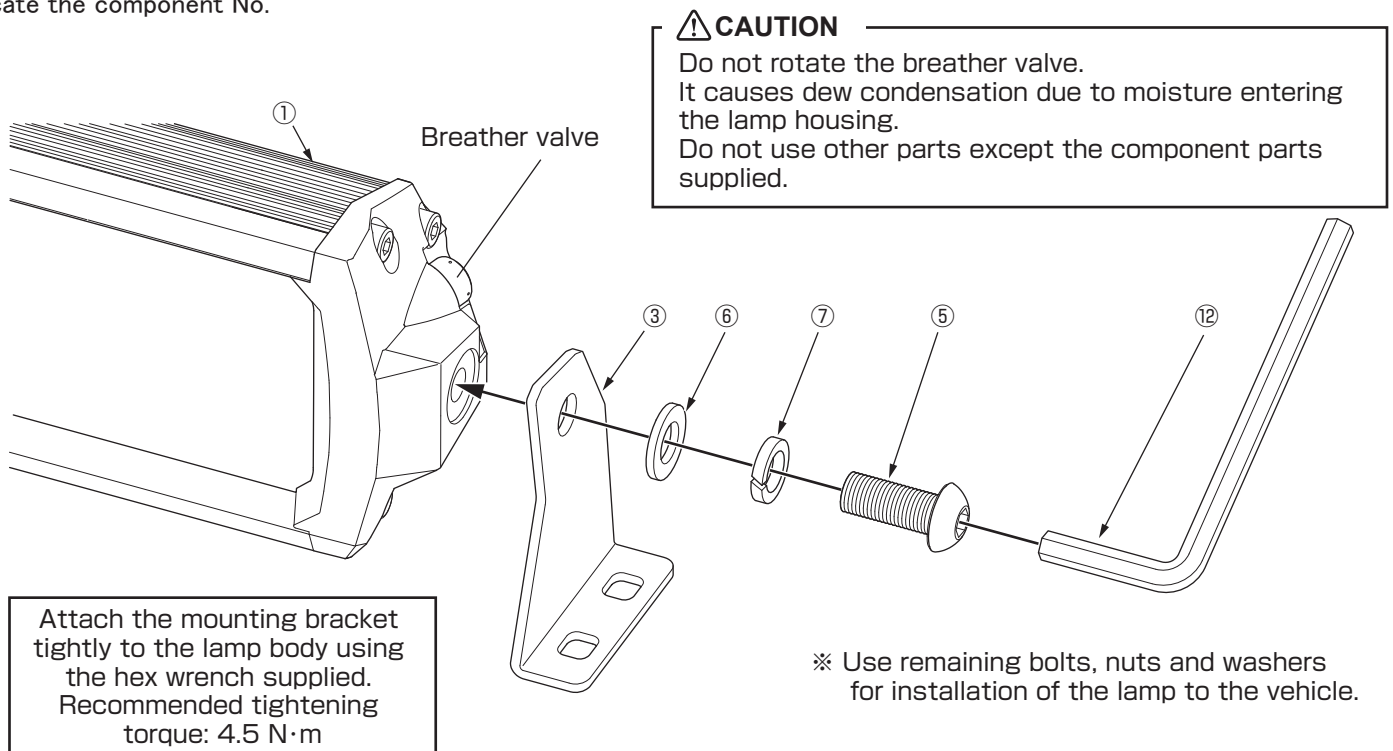
Single-row type (611SS/621SS/631SS)

This figure below indicates LH side (RH side is also in the same way). In addition, the numbers in the figure below indicate the component No.



Double-row type (612SD/622SD/642SD/652SD)

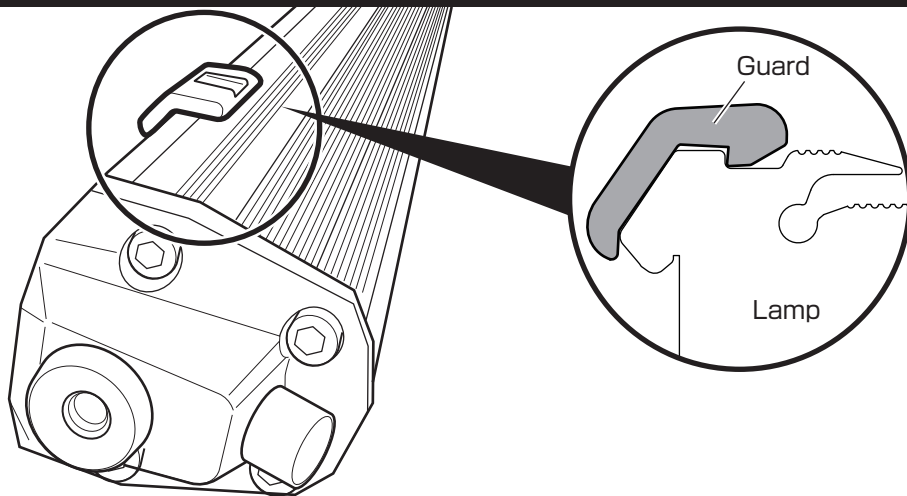
This figure below indicates LH side (RH side is also in the same way). In addition, the numbers in the figure below indicate the component No.



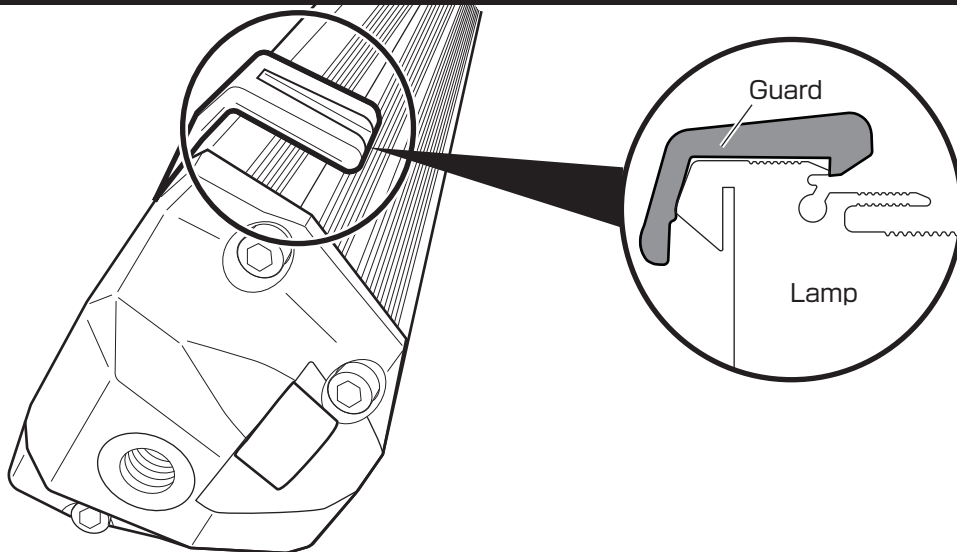
How to attach the Guard Emblem

Check to see if all the tabs securely attached to the lamp.

Single-row type (611SS/621SS/631SS)



Double-row type (612SD/622SD/642SD/652SD)



Warranty

This product is one year warranty.