



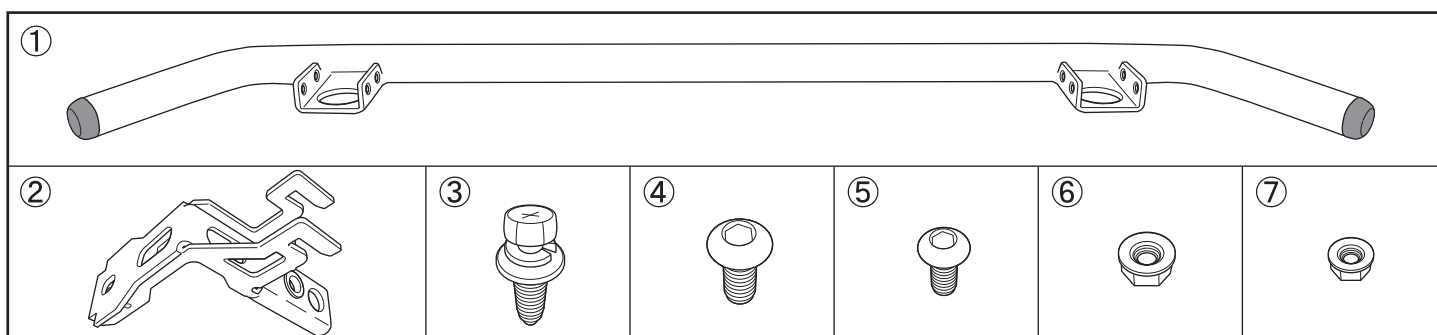
# Installation Manual

PN : **JS-001**

## Safety precautions Caution

- Strictly follow the installation manual, incorrect installation causes damage or loss to your vehicle.
- It is recommended that this product be installed by a professional.
- This product is designed exclusively for JIMNY (JB64 and JB74) fitted with the IPF products (S-950SRL and S-9681 or 9682).
- DO NOT alter the product.
- Turn off the engine and ignition when installing.
- Check to see if there are screws loose or unsteady attachment around the mounting area on a regular basis, and check especially after off-road driving or when impacts are applied.
- There is a risk of damaging the vehicle if heavy lamps are attached.
- Stop using the product immediately if the bracket is cracked or deformed.
- This product is made of aluminum and should not be made an excessive impact.

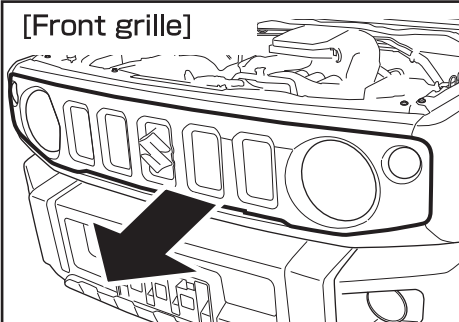
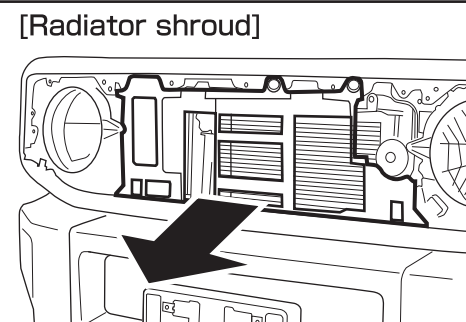
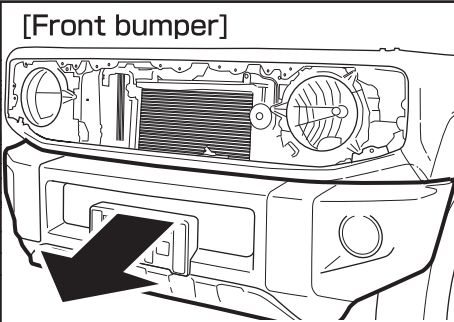
## Component parts



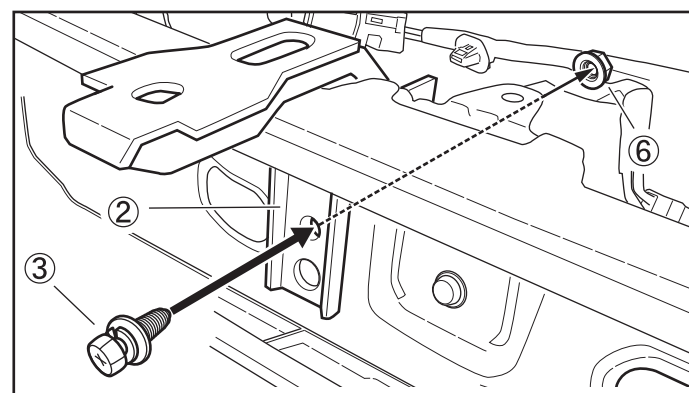
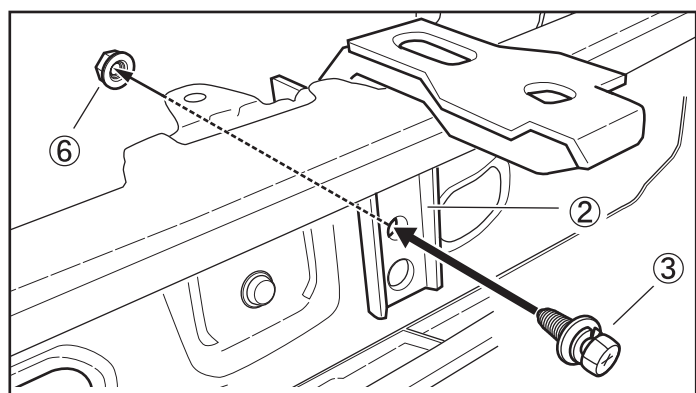
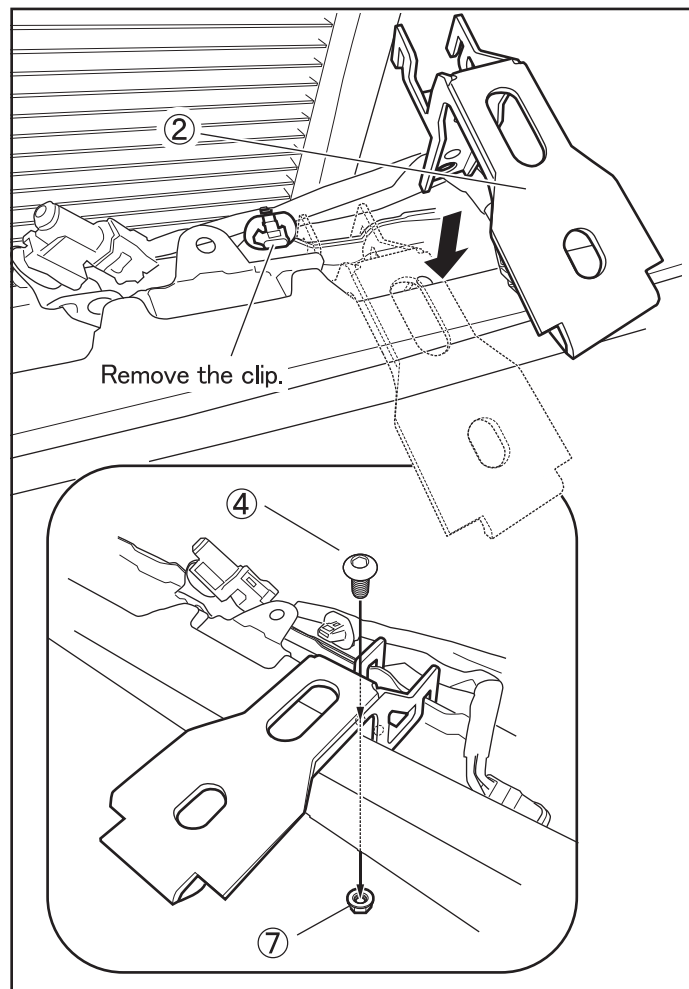
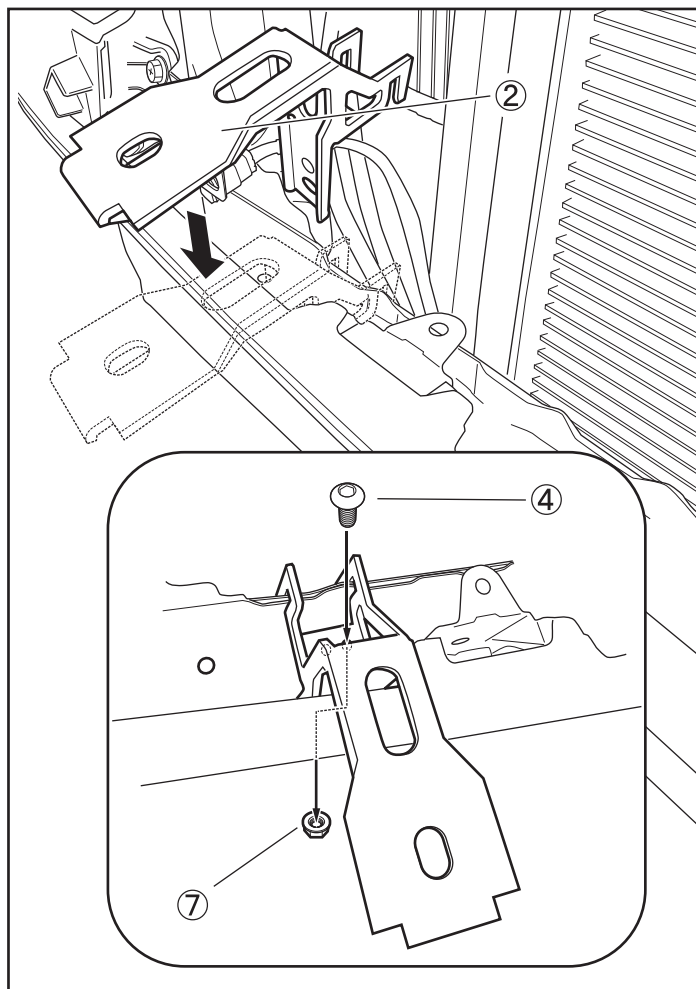
No.	Part name	No. of pcs	No.	Part name	No. of pcs	No.	Part name	No. of pcs
①	Bar <Aluminum>	1	④	Button bolt (M6 × 12)	2	⑦	Nut (M6)	2
②	Bracket <Steel>	2	⑤	Button bolt (M5 × 10)	8			
③	Sems bolt (M8 × 20)	2	⑥	Nut (M8)	2			

## How to install

- (1) Remove the front grille, radiator shroud and front bumper.

[Front grille]	[Radiator shroud]	[Front bumper]
		
Clip ... 2 pcs Grille clips ... 2 pcs Turn signal connector ... 2 pcs Trim clip ... 13 pcs	Clip ... 7 pcs	Clip ... 10 pcs Screw ... 4 pcs Bolt ... 3 pcs

(2) While adjusting the brackets (2) to the following positions, fix them temporarily to the vehicle with the button bolts (4) with nuts (7), and semi bolts (3) with nuts (6) in pairs. (Included all attachments are to fit the existing holes of the vehicle. See the figures below.)



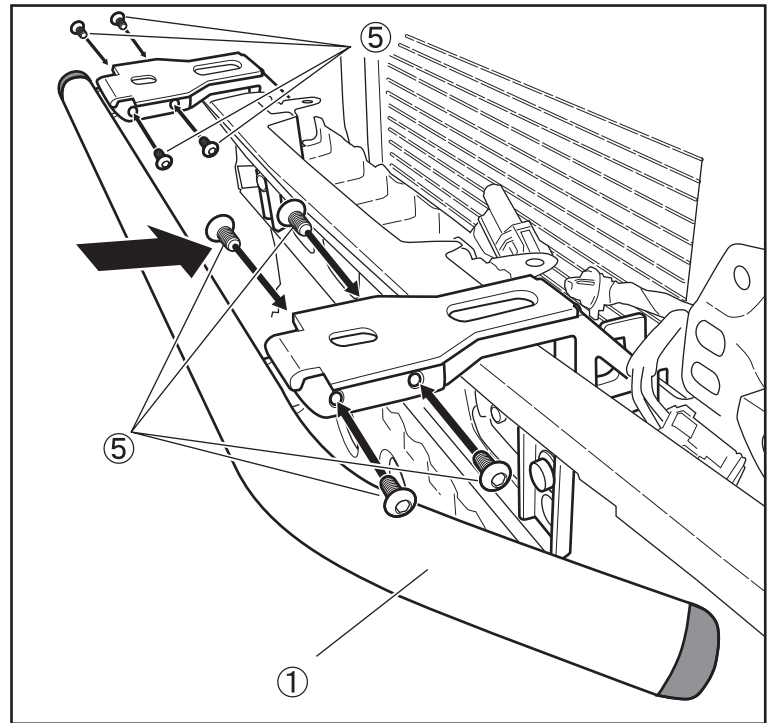
- (3) Fix the bar ① with the button bolts ⑤ tighten to the brackets ② that were temporarily fixed to the vehicle in the process (2).  
After the bar properly fixed to the brackets, fully tighten the paired bolts and nuts ④/⑦, ③/⑥.

**Note**

Make sure to see if the bar ① and the brackets ② are securely tightened.



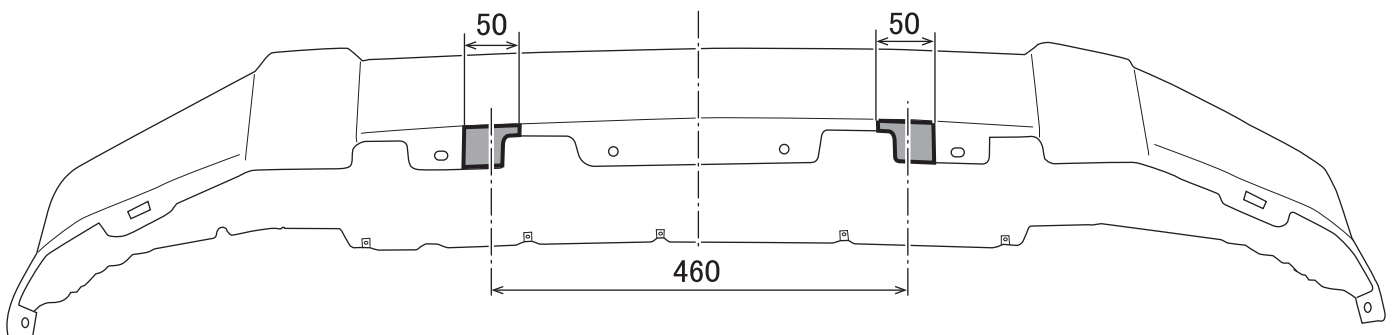
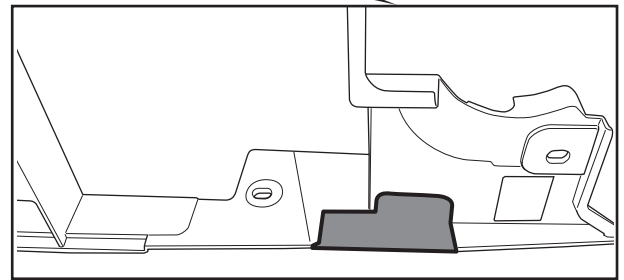
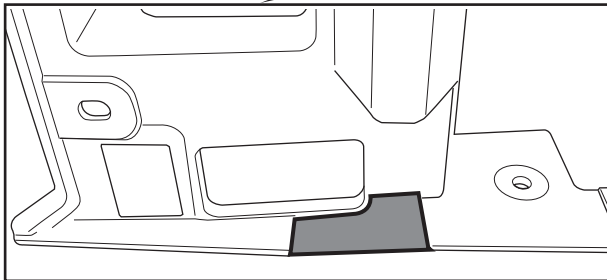
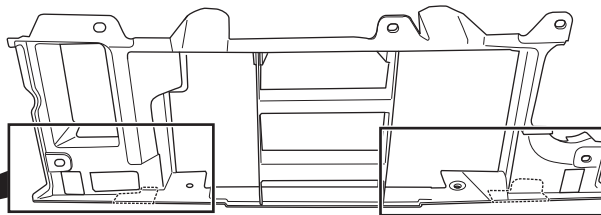
Tighten the bolts, nuts and screws securely. Retighten them periodically.



- (4) Cut off the part of the radiator shroud and front bumper indicated below that interferes with the brackets.

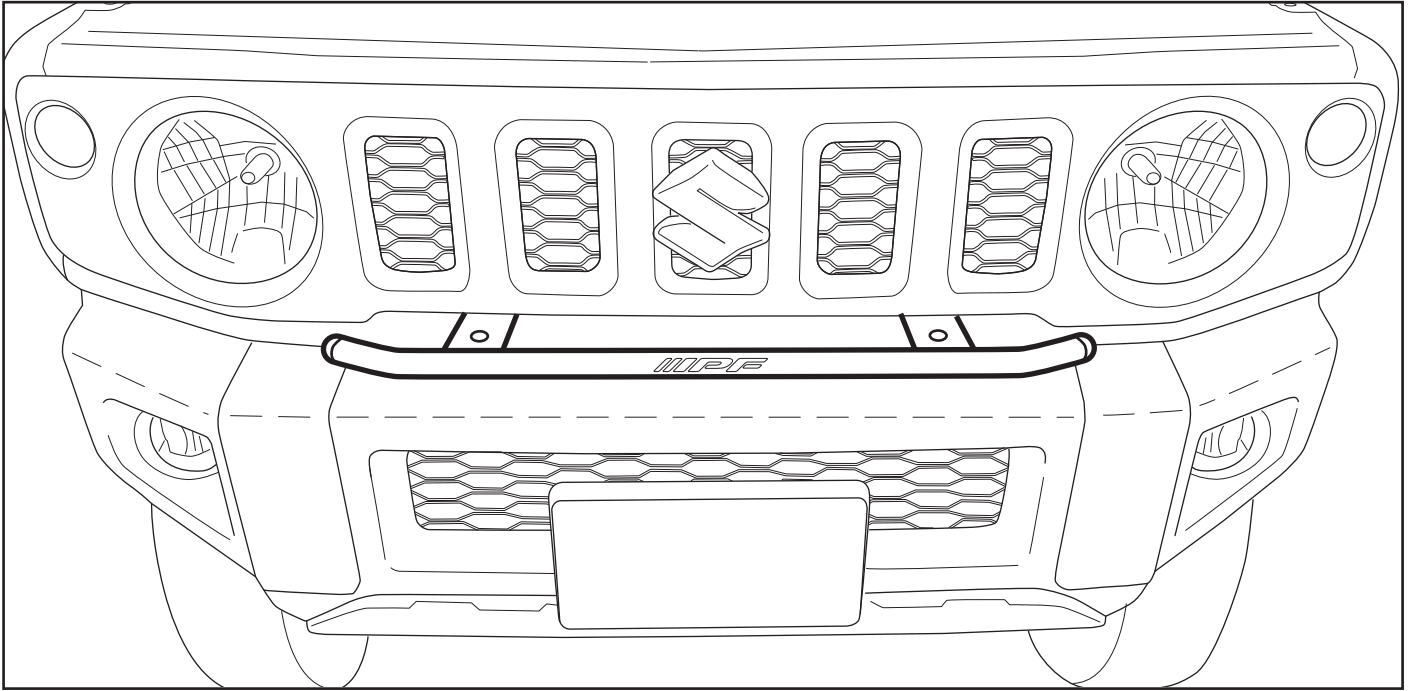
The figures below are for reference only. Check the required cutting-off part by applying the vehicle parts to its original position.

Make an extra cutting off if you pass the harness through the radiator shroud.



The above figure shows the layout of the JB64. JB74 has different configuration in some parts.

(5) Restore the front grille, radiator shroud and front bumper.



(6) Install the IPF lamps according to the instruction manual of the S-950SRL or S-9681 or 9682.

**Note**

If you choose to install the 968 series lamps, remove the bar once and then attach the lamps to the bar.  
Fix the bar to the brackets after the lamps installed.



Attached lamp may fall out if the bolts and nuts are not tightened securely.

