



NEW L/C70

Light Bar Insert Kit Installation Manual

Land Cruiser 70(GRJ76/79K) exclusive model

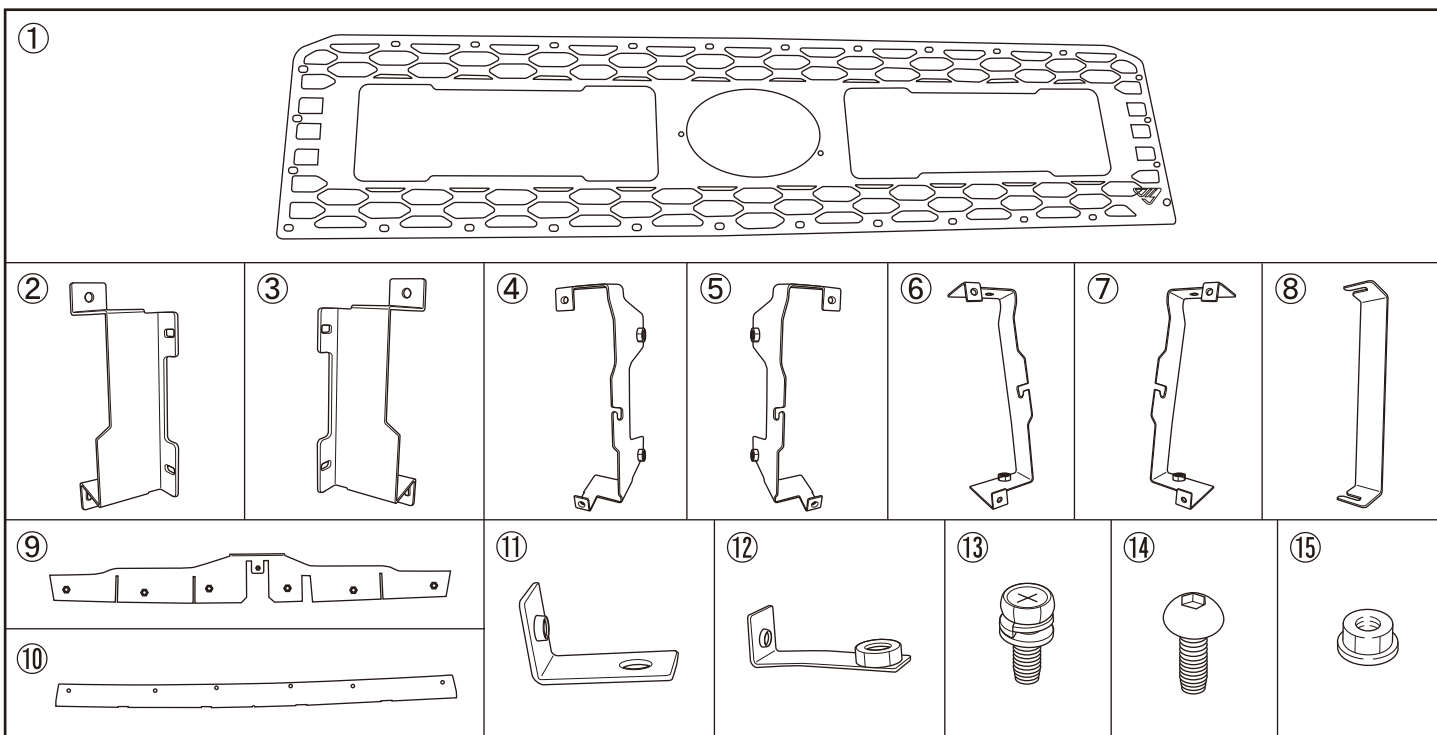
PN : **LG-001**

Safety caution



- It is recommended that this product be installed by a professional.
- This product is designed exclusively for Land Cruise 70 (GRJ76/79K) fitted with IPF light bar 621RJ (2pcs).
- Check installation condition regularly, attachments or screw loose etc.
- Turn off the engine and ignition when installing.
- Stop using if the brackets cracked or deformed.
- Strength of factory grille frame be maintained unless this product cracked or deformed.

Component parts



No.	Kit parts	pcs	No.	Kit parts	pcs	No.	Kit parts	pcs
①	Panel	1	⑥	Bracket LC	1	⑪	Upper panel stay	2
②	Bracket LA	1	⑦	Bracket RC	1	⑫	Lower panel stay	2
③	Bracket RA	1	⑧	Frame	1	⑬	W sems bolt (M6 x 16)	16
④	Bracket LB	1	⑨	Upper plate	1	⑭	Button bolt (M5 x 10)	27
⑤	Bracket RB	1	⑩	Lower plate	1	⑮	Flange nut (M5)	15

Installation procedure

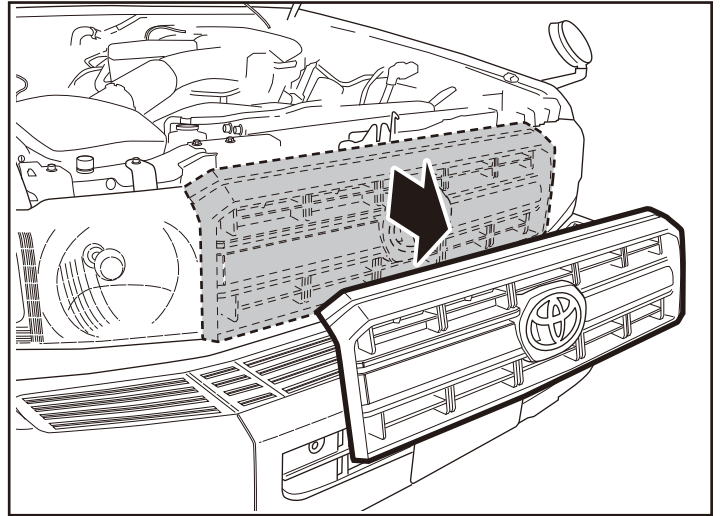


A loose attachment of bolts or nuts can cause lamps to fall down.



Secure each bolt, nut and screw tightly. Check to fix attached locations regularly.

(1) Remove factory grille frame from vehicle.



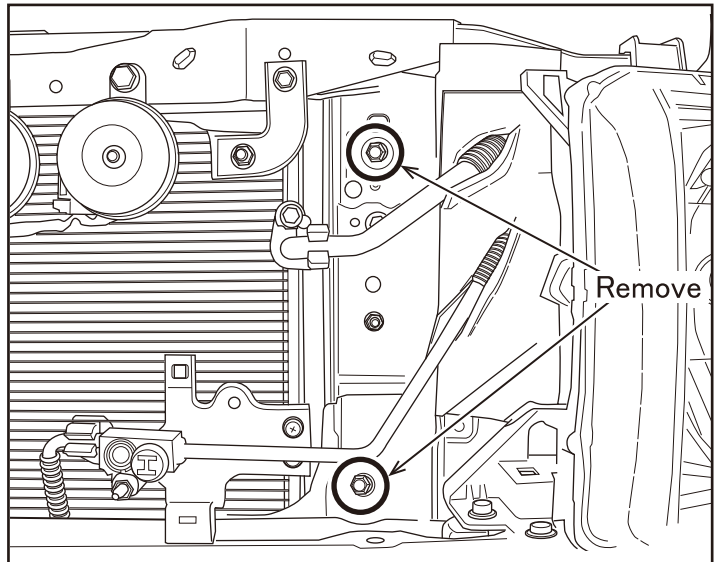
(2) Remove factory bolts from metal brace next to left side of head light.

Warning

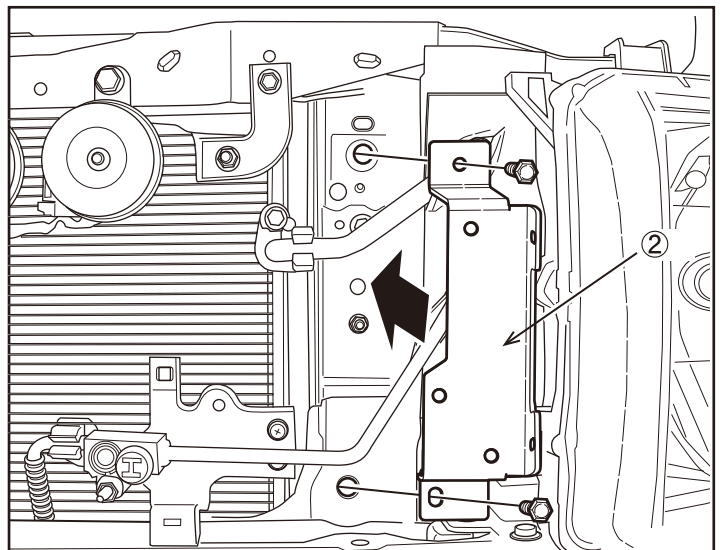
- Do not remove factory bolts R/L side at once. Remove them each one side.

Caution

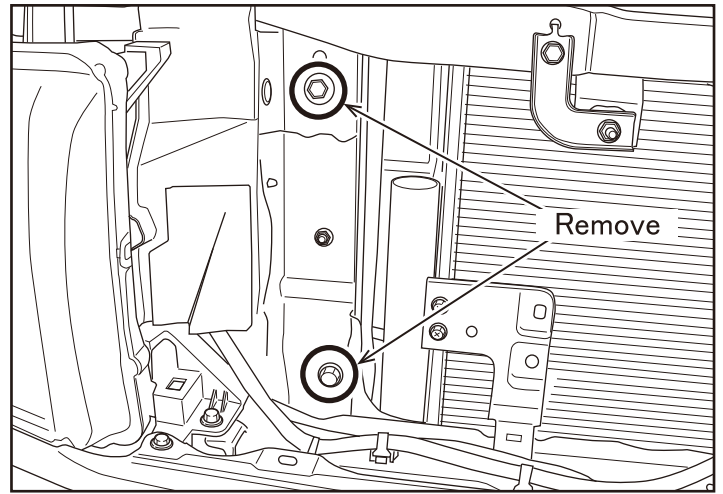
- Take care not to damage harness or pipes etc.



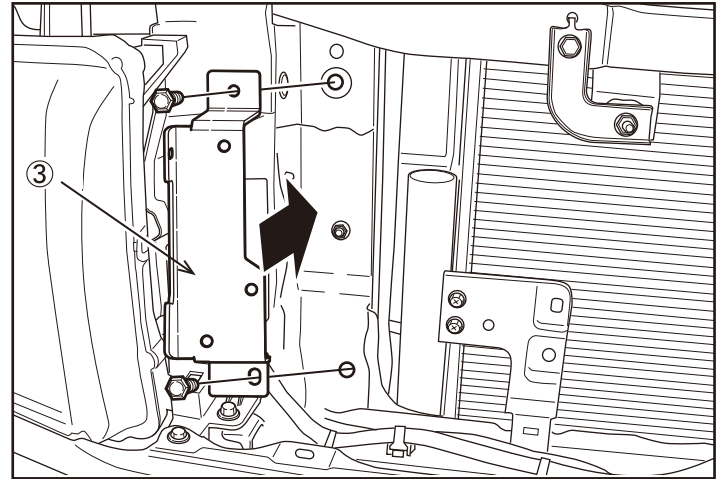
(3) Bolt Bracket LA② to metal brace using factory bolts.



(4) Remove factory bolts from metal brace next to right side of head light.



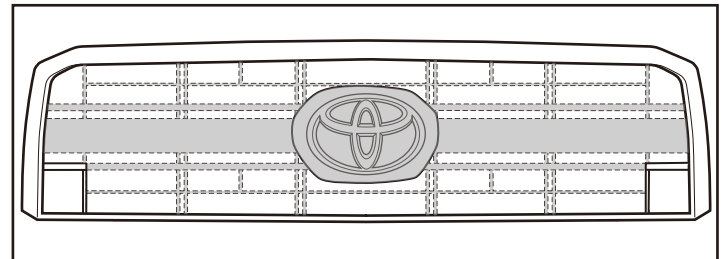
(5) Bolt Bracket RA③ to metal brace using factory bolts.



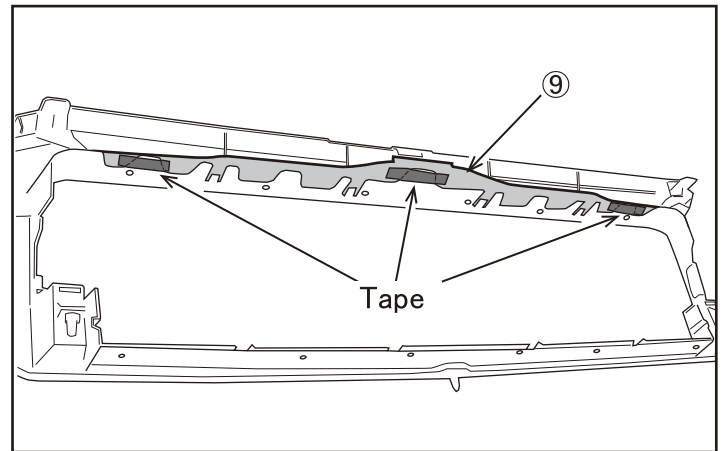
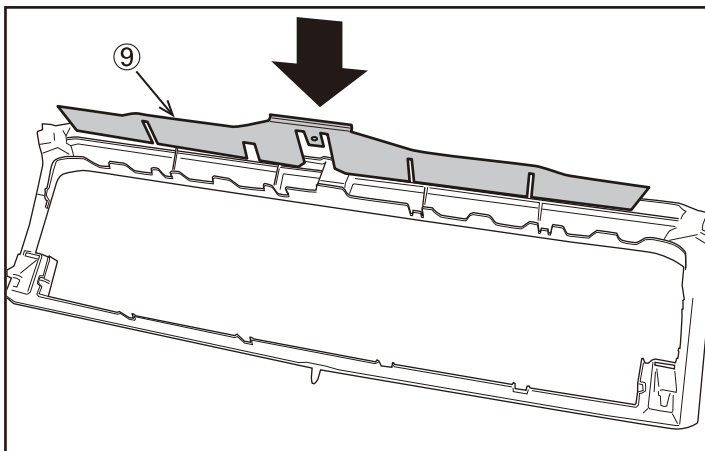
(6) Cut the dashed part along the top, bottom and sides of the grille.

⚠ Caution

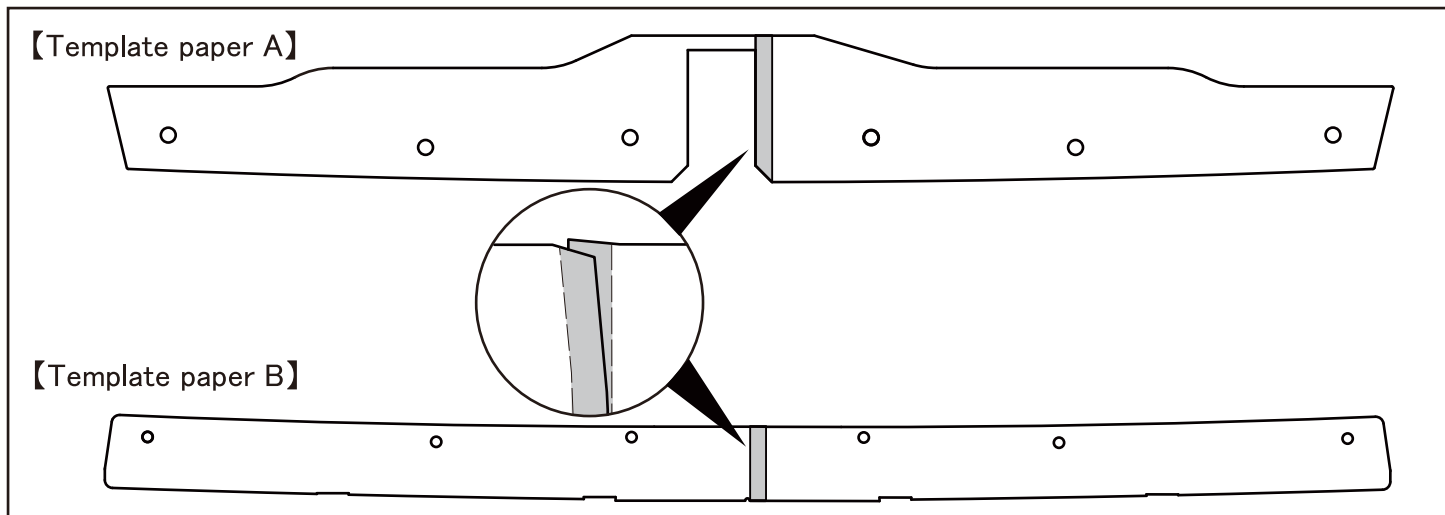
Take care to avoid a minor cut and sharp surfaces.



(7) Tape Upper plate⑨ to grille frame. Align it with the plastic forms on the back side of the grille frame.



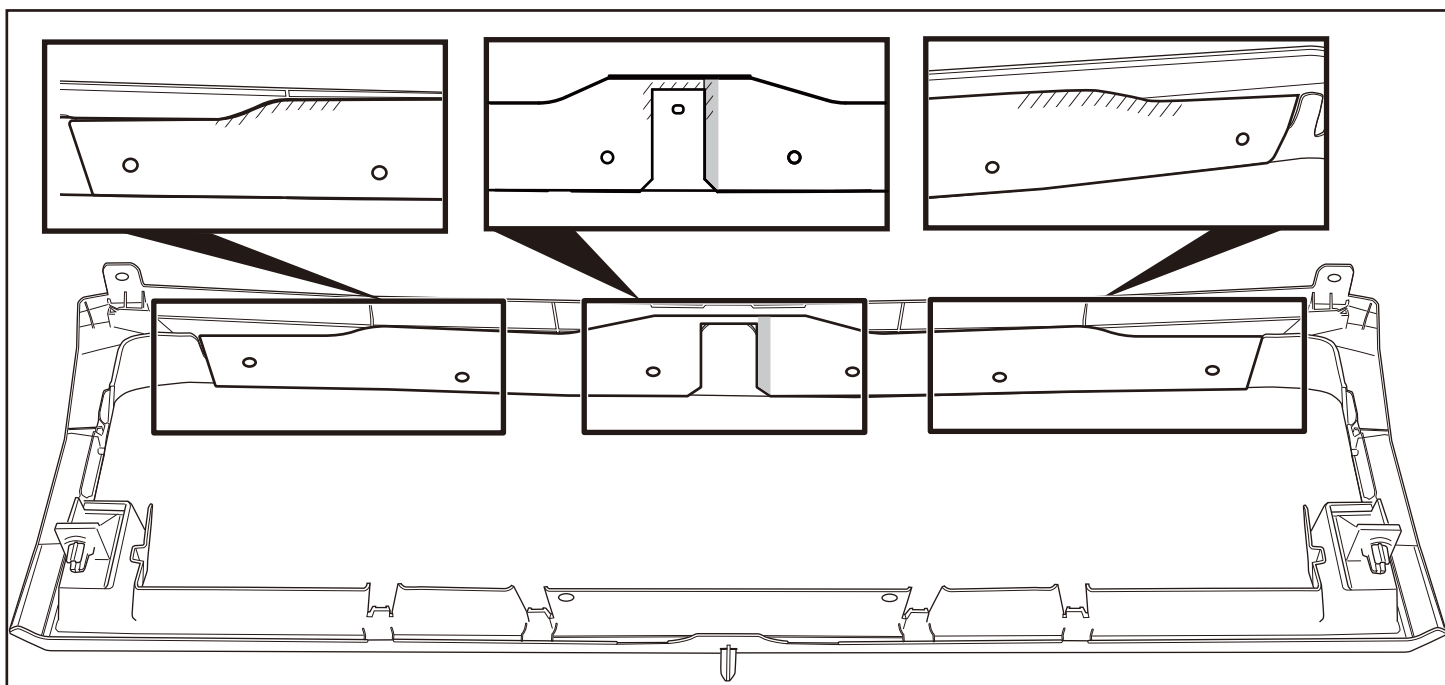
(8) Cut Template paper A&B. Tape each dashed part as image below.



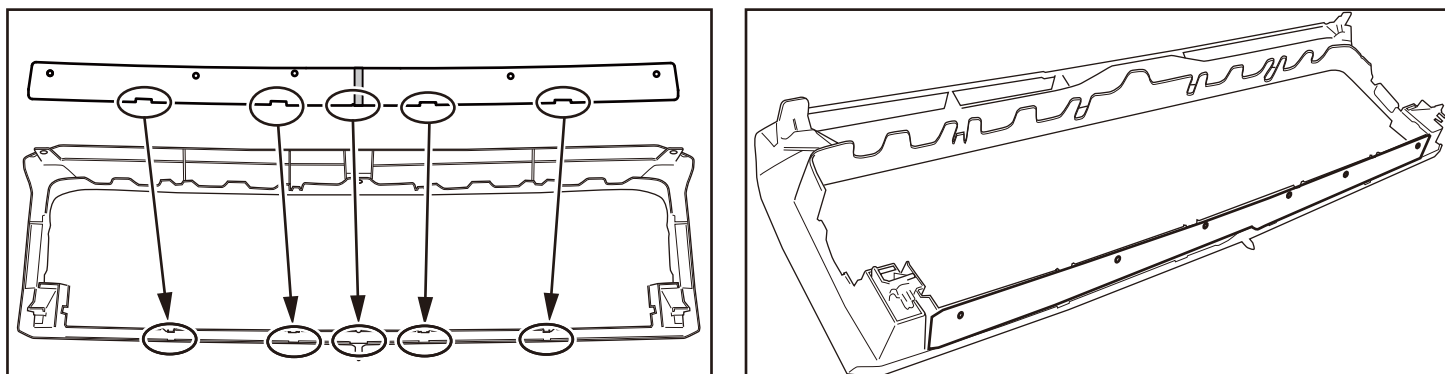
(9) Tape Template paper A flush with Upper plate⑨.

⚠ Caution

- Template paper A is asymmetry. Take care when you attach them.



(10) Tape Template paper B to grille frame. Make the paper flush with the grille frame as image below.

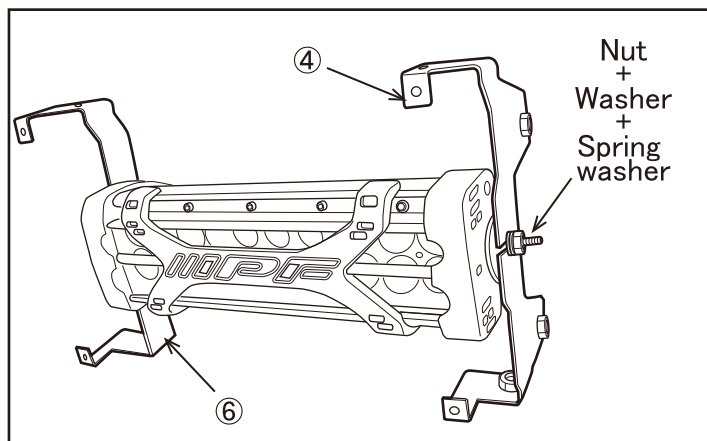


(11) Mark the bolt holes (see Template paper A&B) on the grille frame. Drill ϕ 7mm bolt holes on your marks in the grille frame.

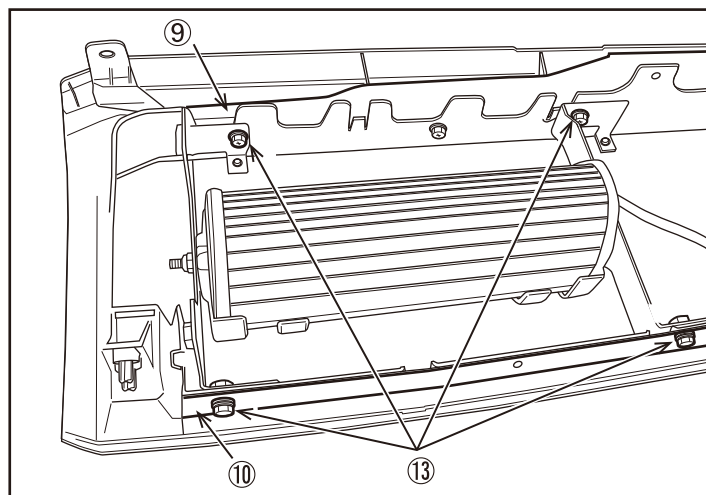
Note

Remove Template paper A&B after drilling holes.

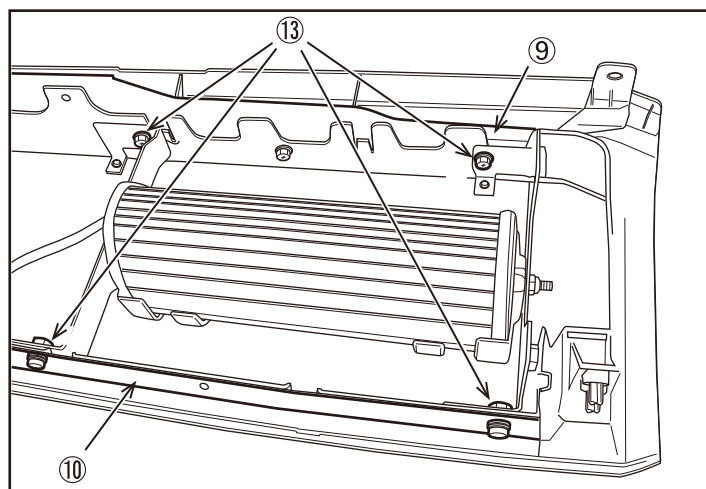
(12) Attach Bracket LB④ & LC⑥ to your IPF light bars (612RJ) with provided nuts and washers.
(Temporal fixing)



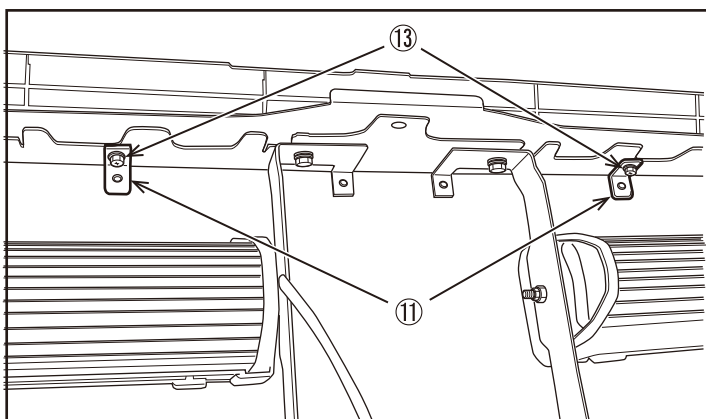
(13) Attach Bracket LB④ & RB⑤ to Upper plate⑨ & Lower plate⑩ using W sems bolts⑬. Put the grille frame between Brackets and Plates.
(Temporal fixing)



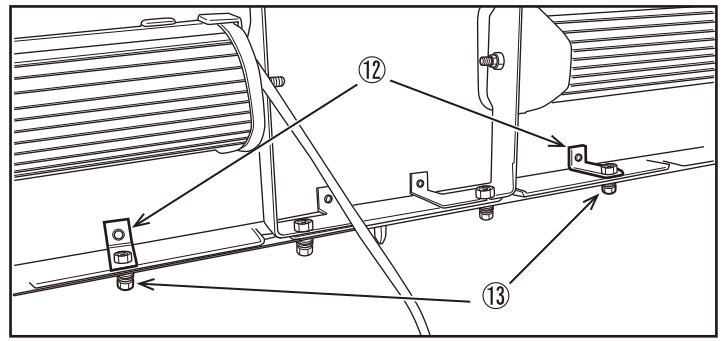
(14) The other side in the same way.
(Temporal fixing)



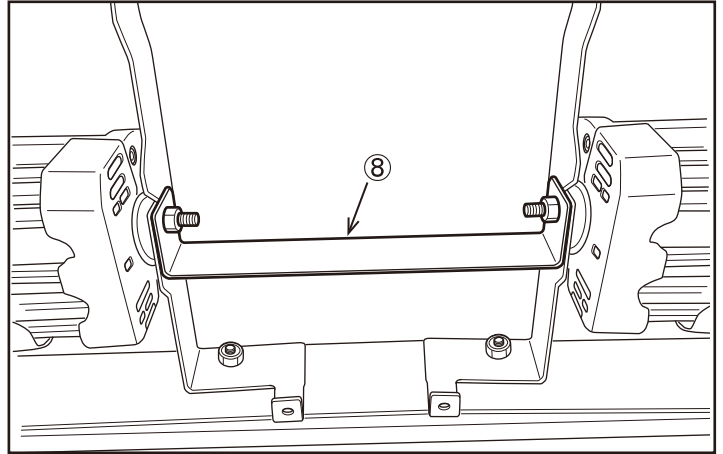
(15) Attach Upper panel stays⑪ to Upper plate⑨ through the grille frame using W sems bolts⑬.
(Temporal fixing)



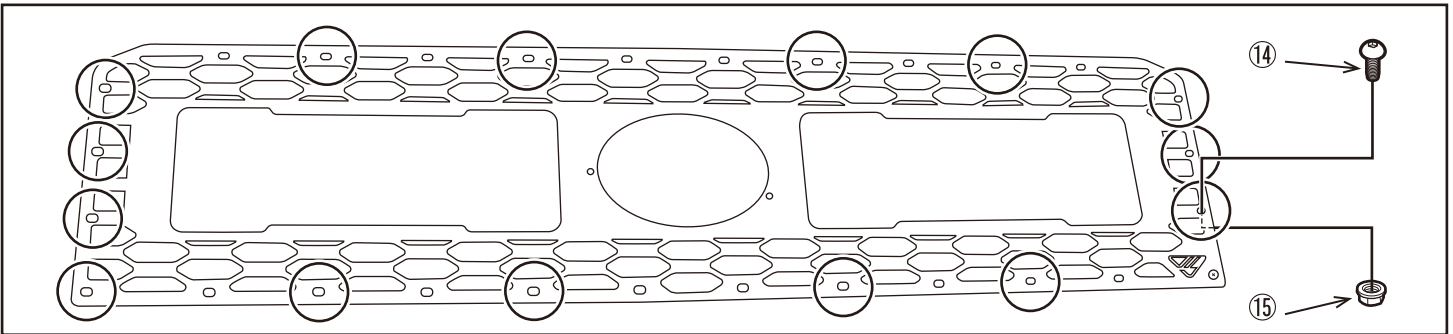
(16) Attach Lower panel stays¹² to Lower plate¹⁰ through the grille frame using W sems bolts¹³.
(Temporal fixing)



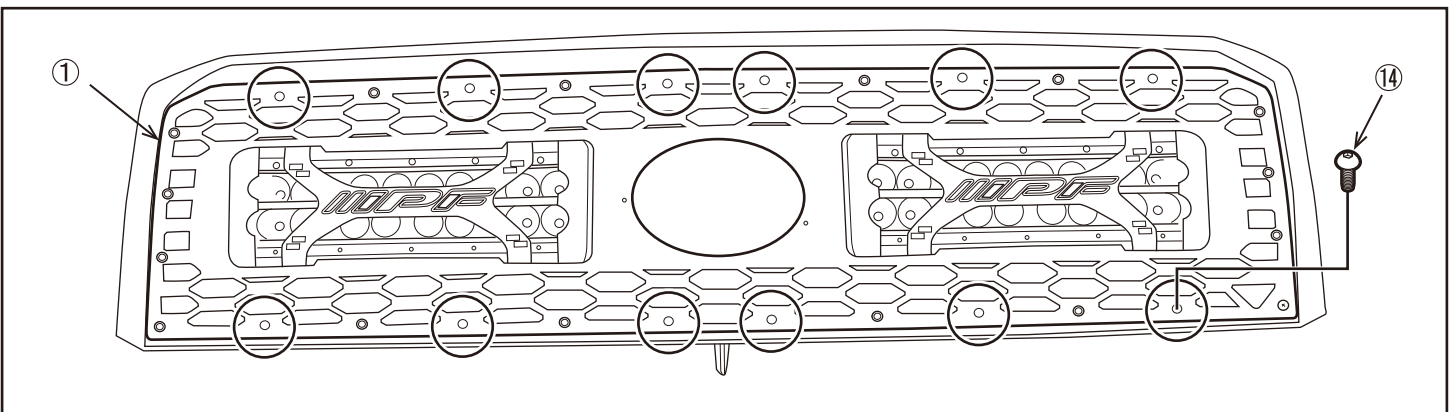
(17) Attach Frame⁸ to your IPF light bars using their nuts.
(Temporal fixing)



(18) Place Panel¹ face up on table. Secure Button bolts¹⁴ & Flange nuts¹⁵ to circled locations.



(19) Attach Panel¹ to Brackets^{4,5,6,7} & Stays^{11,12} using Button bolts¹⁴. (Temporal fixing)

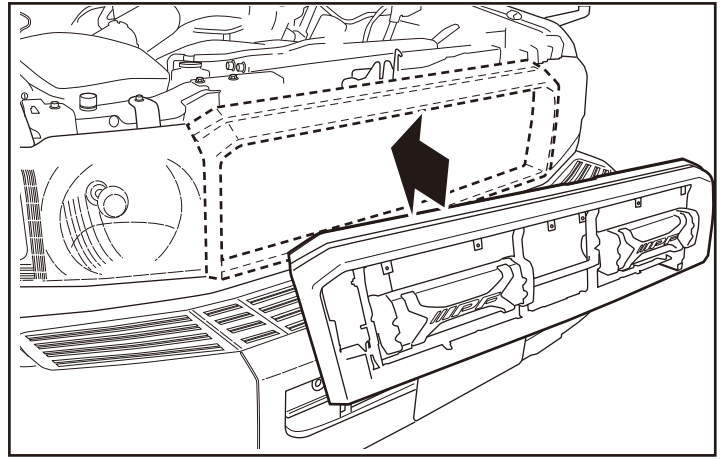


(20) Secure all attachments tightly from procedure (12) to (17).

(21) Remove Panel¹ from the grille frame.

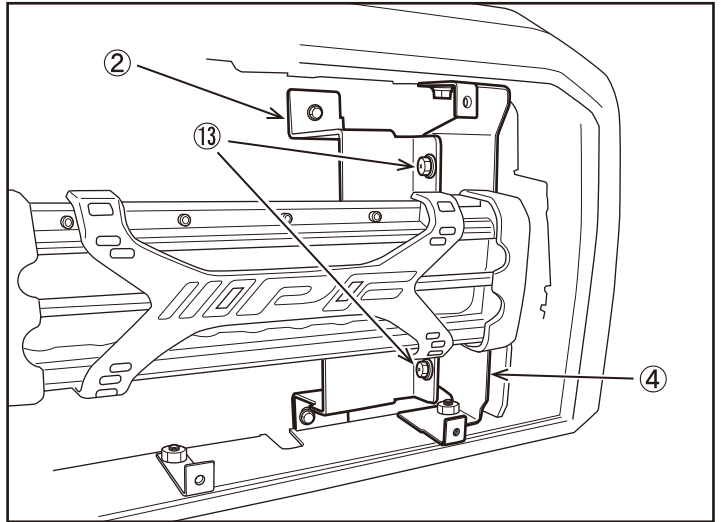
(22) Connect harness to vehicle's connector according to the instructions included with IPF light bar (612RJ).

(23) Reattach the grille frame to your vehicle.

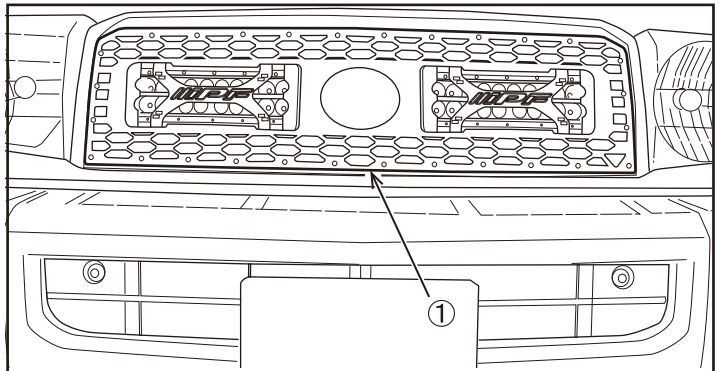


(24) Connect vehicle's harness to light connector.

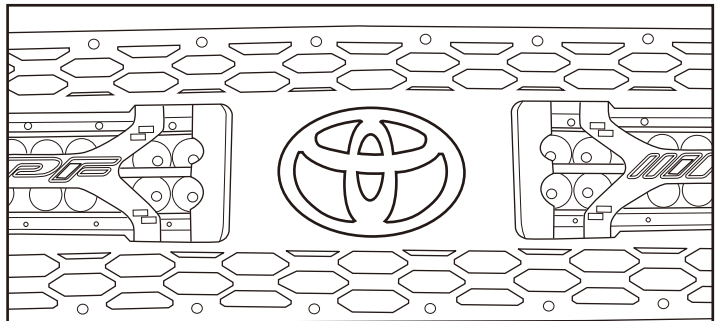
(25) Bolt Bracket LA② to LB③ and Brackets RA③ to RB⑤ using W sems bolts⑬.



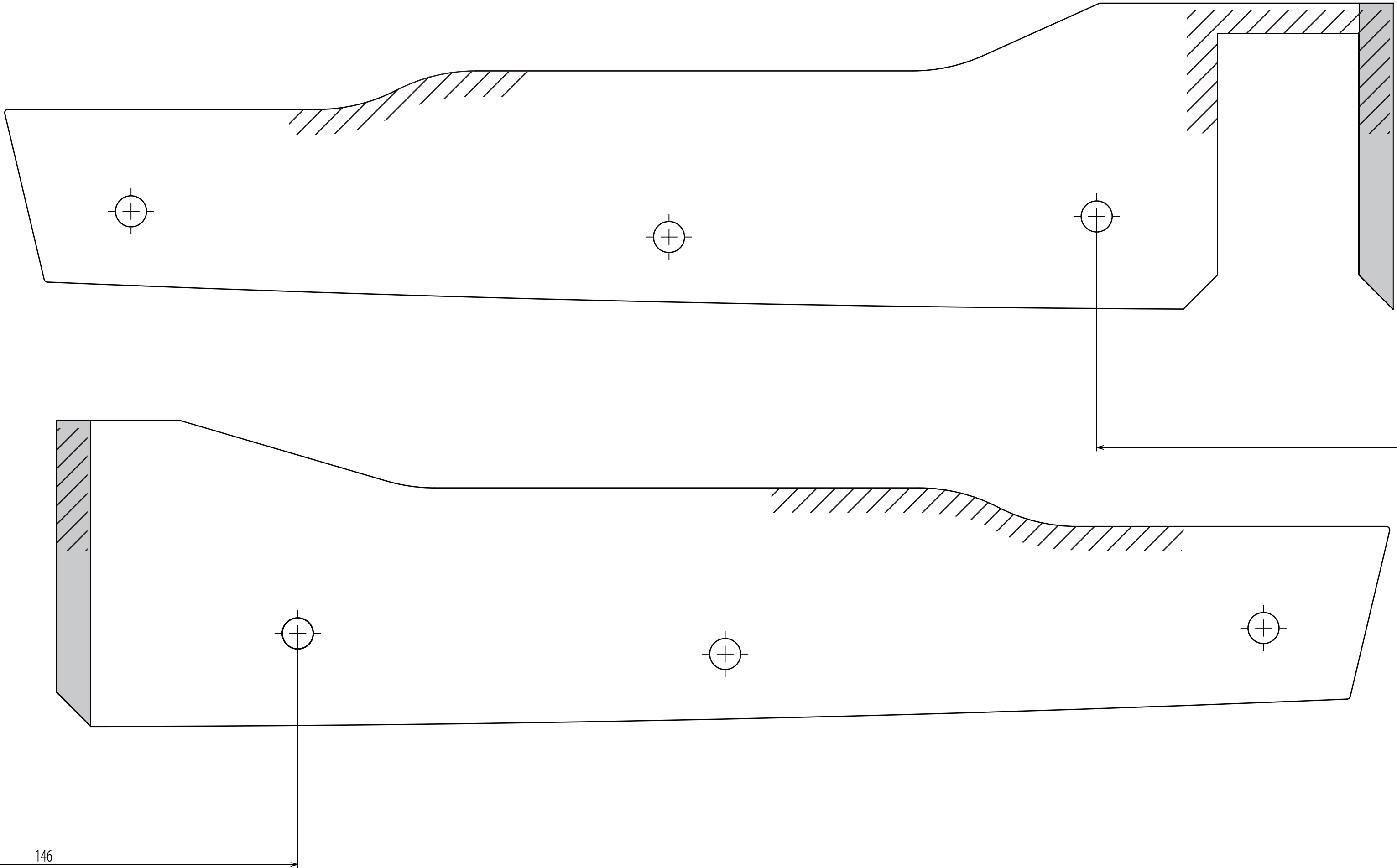
(26) Reattach Panel① to your vehicle using Button bolts⑭.



(27) Your factory emblem can be attached to the center location of Panel①. Apply double-sided tape (automotive exterior use), if you attach the emblem.



Template paper A



146

Template paper B

