

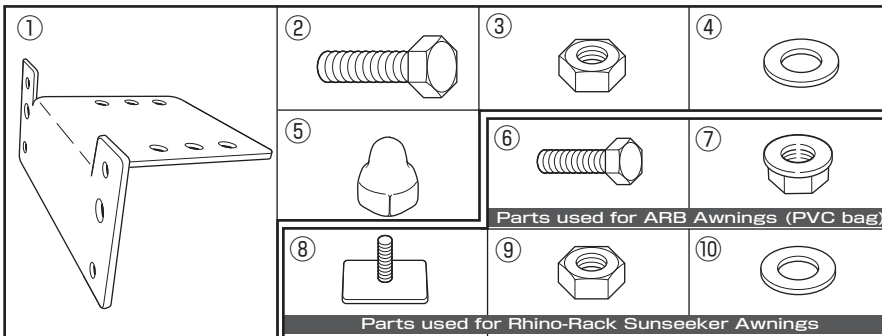


Thank you for purchasing IPF EXP roof rack.  
Please read this manual carefully prior to installation to follow correct fitting procedure.  
Store this manual in safe location for future reference.

## Handling precautions **⚠ Caution**

- Strictly follow the installation manual. Incorrect installation causes damage or loss to your vehicle.
- No liability is accepted for accidents or damage to your vehicle or product caused by installation methods other than those described in this manual.
- This product must not be modified in any way.
- It is recommended that this product be installed by a professional.
- Installation must be done by two or more persons. Please take care to avoid falling when using a stepladder etc.
- Turn off the engine and ignition before installation.
- DO NOT put your weight on the vehicle with your hands. Vehicle body panels, a roof panel in particular, can easily be deformed or damaged by the weight.
- Take care to avoid falling when using a stepladder.
- Make sure to protect your vehicle from corrosion with touch-up paint etc., if the installation of this product caused any damage to your vehicle.
- DO NOT use a rope or belt on the Awning stay. Vibration causes them to move and become loose, and excessive tension can damage the slot channel.
- This product is designed for use only with ARB Awnings (PVC bag) or Rhino-Rack Sunseeker Awnings.

## Component parts



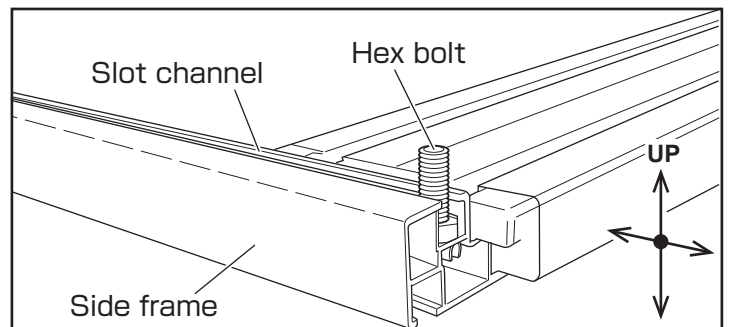
No.	Part name	No. of pcs
①	Awning stay	3
②	Hex bolt M8×20	6
③	Nut M8	6
④	Washer M8×18	6
⑤	Nut cap	6
⑥	Hex bolt M6×20	3
⑦	Flange nut M6	3
⑧	Plate Bolt M8×20	2
⑨	Nut M8	2
⑩	Washer M8×20	2

Note: Be careful not to confuse bolts and nuts.

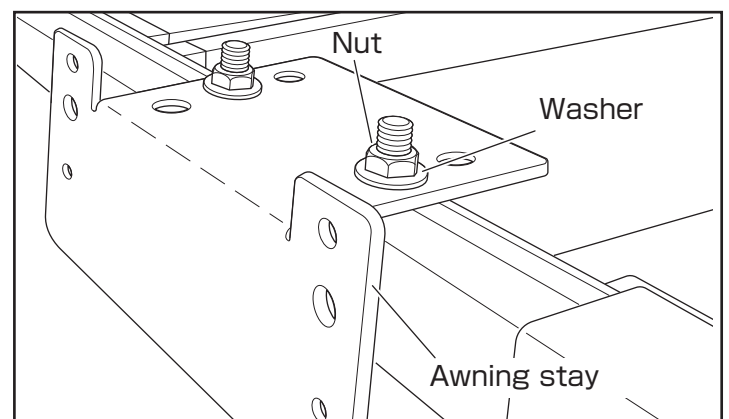
## How to install

### Fit the awning stay onto the side frame

1. Remove the corner cap from EXP roof rack and insert the three hex bolts supplied into the slot as shown in the figure right.

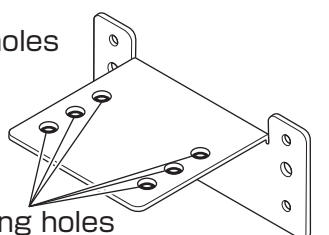


2. Insert the Awning stay into the hex bolts, and set preferred mounting position. Tighten the Awning stay with washers and nuts, and place the corner cap back in place.



#### Note

Select mounting holes where the awning stay will not come into contact with your vehicle or roof rack.



## Awnings fitting

### For ARB Side Awnings (PVC bag)

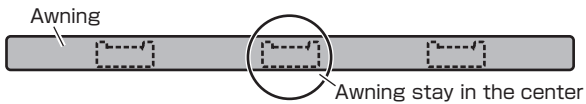
Use three M6 holes on each stay

### For Rhino-Rack Sunseeker Awnings

Use two M8 holes on each stay

#### Note

- Please refer to the instructions for fitting your awning.
- Use the bolts and nuts (⑥ - ⑩) to attach to the Awning stay in the center.

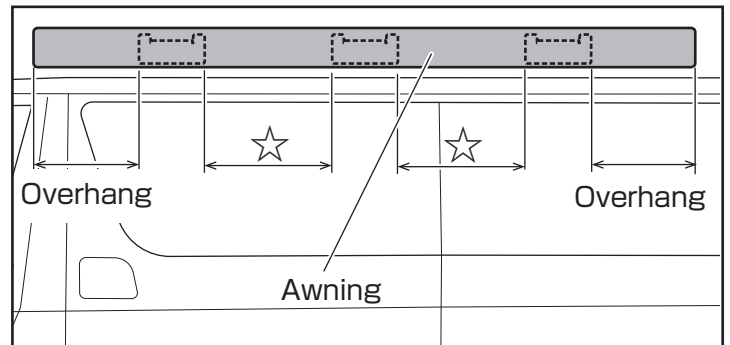
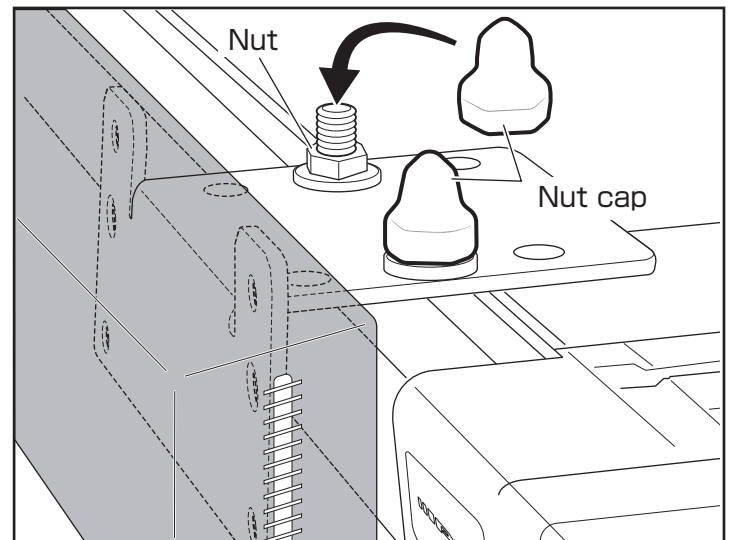
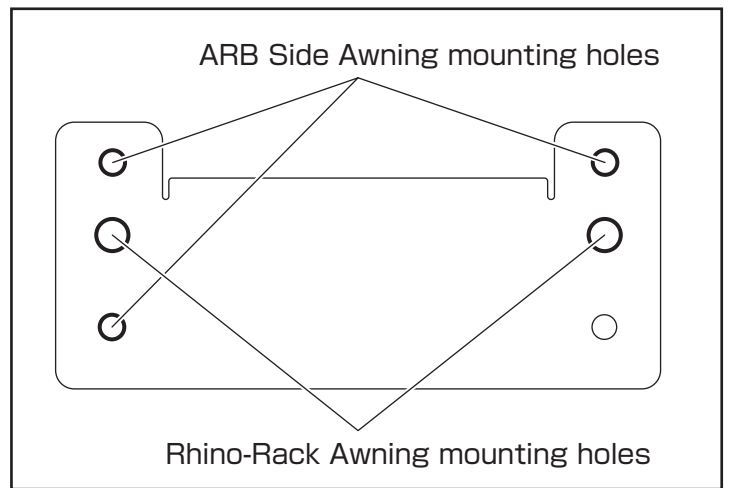


3. After securing your awning, fit the nut caps onto hex bolts, nuts and washers.

Recommended tightening torque for nuts: 10 N-m

#### Note

Please refer to the instructions of your awning for the length of overhang.



## Check after installation

1. Check to see if any bolts or nuts are left untightened or loose.
2. Periodically check all bolts and nuts to see if they are loose, and retighten if needed.