



EXP Roof Rack Installation Manual



Please read this manual carefully prior to installation to follow correct fitting procedure.
Store this manual in safe location for future reference.

Handling precautions **Caution**

- Strictly follow the installation manual. Incorrect installation causes damage or loss to your vehicle.
- No liability is accepted for accidents or damage to your vehicle or product caused by installation methods other than those described in this manual.
- This product must not be modified in any way.
- It is recommended that this product be installed by a professional.
- Turn off the engine and ignition before installation.
- DO NOT put your weight on the vehicle with your hands. Vehicle body panels, a roof panel in particular, can easily be deformed or damaged by the weight.

Precautions for use

Warning

Use this product within its working load.

This product is designed to be used with a load of 50 kg.

Use in excess of the working load is extremely risky. There is a risk of damage to the installation surface of the vehicle, or a secondary accident caused by the product falling due to such damage.

Caution

Pay attention to the size of your load.

Loads must be secured.

Loads must be evenly distributed so that load is not applied in one place, and secure all loads with ropes and belts.

DO NOT use ropes or belts on the legs.

Use caution when installing this product in sunroof vehicles.

When installing this product in a sunroof version of vehicle, check to see if this product does not come into contact with the vehicle when operating a sunroof and the tilt-up feature prior to normal use of the feature.

DO NOT use the tilt-up feature if there is a possibility of contact with the vehicle.

Carry out inspection and maintenance

Check for looseness or damage to all tightening parts once every month or every 100km of running, and retighten if necessary.

Check your vehicle before and after driving, especially on rough roads and at high speeds.

In the unlikely event of a problem, please do not use the product as it is and contact your dealer or us for advice.

Be aware of changes in your vehicle's characteristic

Drive with extra care after installation of this product. Please avoid abrupt steering, sudden starting and braking when carrying a load or while running with an empty load.

The way the vehicle leans, steers and brakes will all change in particular when driving on sharp bends or rough roads, or when fanned by strong cross wind.

Be aware of height and length limitations and overhead obstructions.

Prior to touring, check the overall height and length of the vehicle when loaded or unloaded.

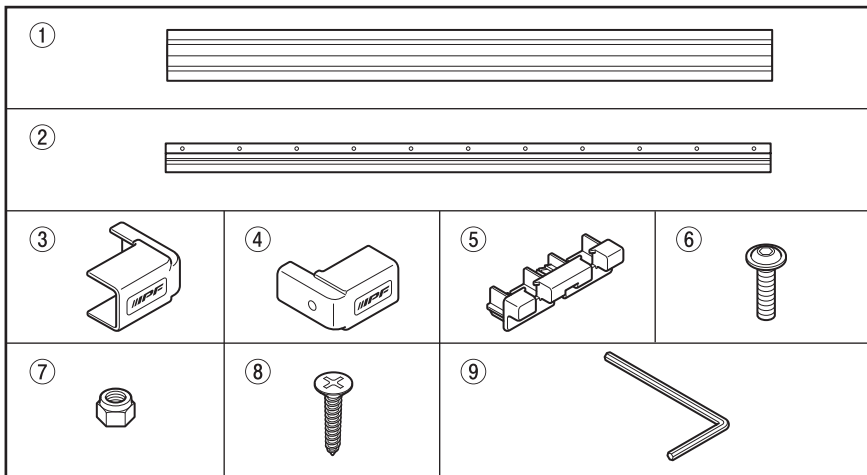
Please ensure that your vehicle is within the height and length limits of the road, such as tunnels and parking decks, and do not enter them lightly.

Drive slowly and take care to check for damage and contact with the load when driving in areas where trees grow over or signs overhang the road.

Use of the car wash machine is not allowed

Use of the car wash machine is not allowed due to excessive force applied to your vehicle in the cross and front-back direction, causing damage to the installation surface of the vehicle body or a secondary accident resulting from falling of this product due to such damage.

Component parts



No.	Part name	No. of pcs
①	Floor bar	6
②	Side frame	2
③	Corner cap A	2
④	Corner cap B	2
⑤	End cap	12
⑥	Button bolt	12
⑦	Nylon lock nut	12
⑧	Countersunk screw	4
⑨	Hex wrench	1

How to install

1. Insert the end caps

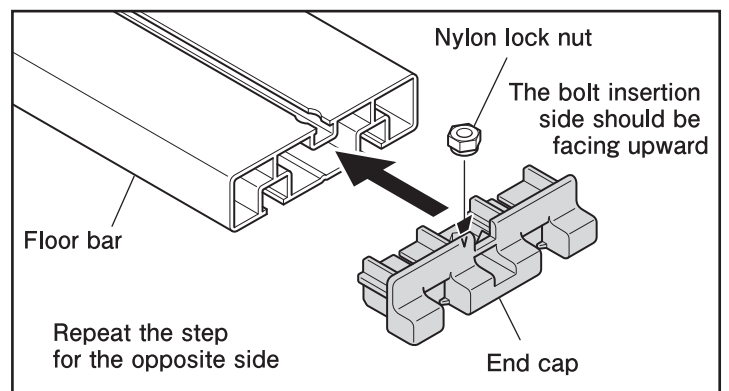
Insert the nylon locknut into the end cap.

Advice

The bolt insertion side of the nylon locknut should be facing upward.

Insert the end caps into both ends of the floor bar.

Repeat for all floor bars.

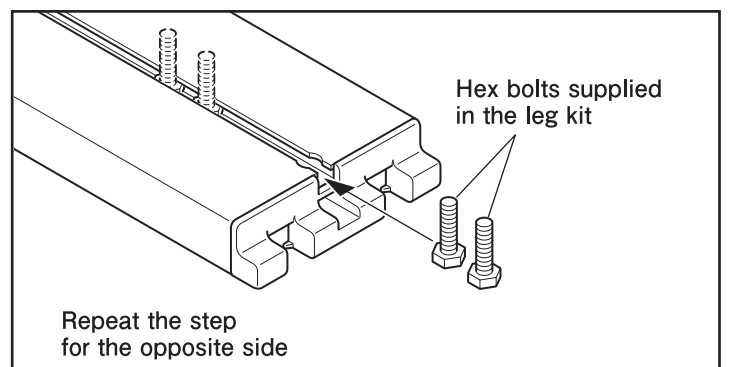


2. Fit the bolts for the legs

Insert the hex bolts supplied with the leg kit into the slots on the floor bar.

Repeat the step for the floor bar to which the leg installation kit is to be fitted.

For further information, please refer to the installation manual supplied with the leg kit.



3. Assemble the floor bars and side frames

Temporarily assemble the floor bars with the side frames using the button bolts (M6 x 25) (temporary assembly).

 **Advice**

Do not fully tighten the bolts until you are instructed to do so. The term "temporary assembly" is used in this manual to describe a state where fasteners are loosely tightened and held in place to prevent falling off without using any tools so that they can allow movement and adjustment.

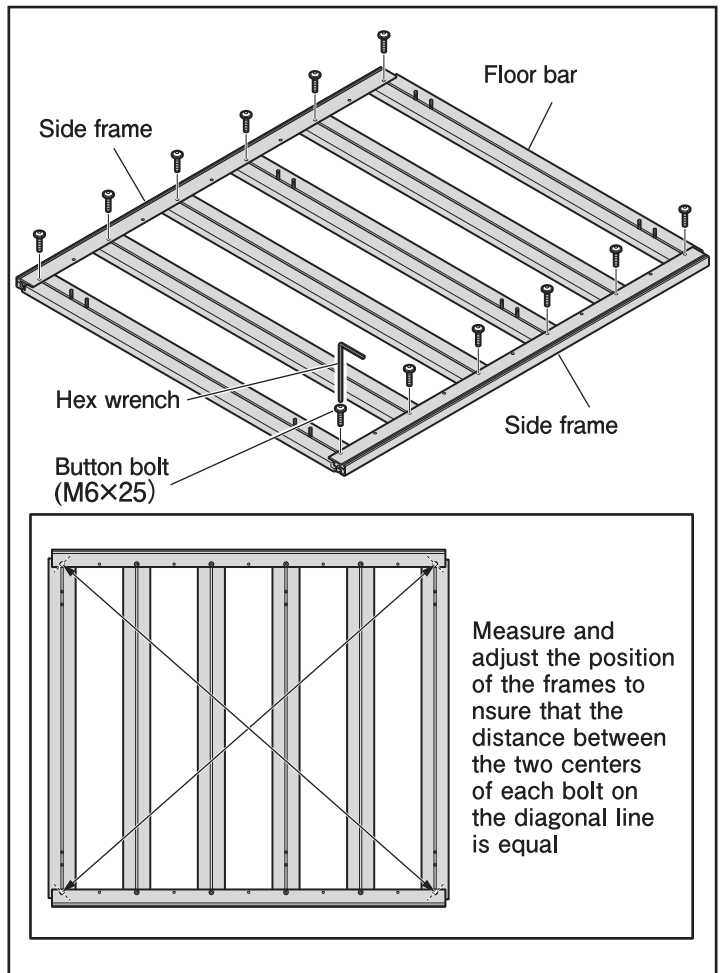
 **Advice**

The figure shows an example of using 6 pieces of the floor bars. Please adjust the position of the floor bars to suit your vehicle.

Measure and adjust the position of the frames to ensure that the distance between the two centers of each bolt on the diagonal line is equal.

Secure the button bolts (M6 x 25).

Recommended tightening torque: 4.0 N-m

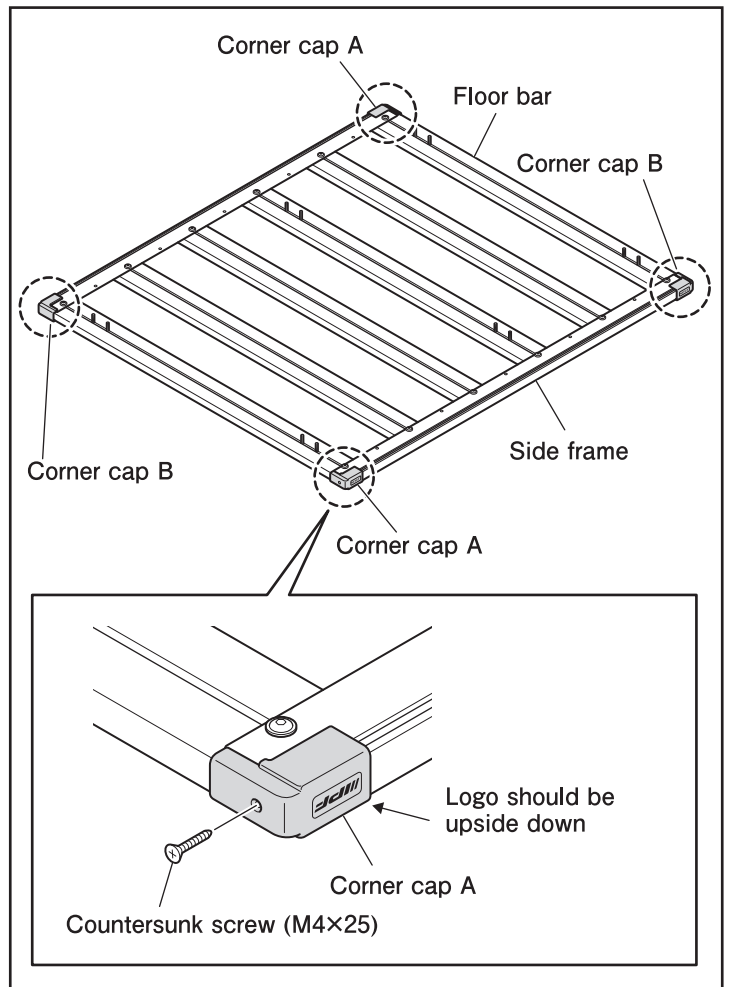


4. Fit the corner caps

Secure the corner cap A and corner cap B at the locations shown in the figure with the countersunk screws (M4 x 20).

 **Advice**

Ensure that the logo is upside down and that it is fitted in place.



Refer to the installation manual supplied with the leg kit for further reference.

Check after installation



Caution

Ensure that the installation is carried out in accordance with the instructions.
Failure to tighten the bolts may lead to the main unit falling off, resulting in serious accidents.