



Installation Manual

P N : EXL-01

Handling precautions Caution

- Strictly follow the installation manual. Incorrect installation causes damage or loss to your vehicle.
- We cannot accept any liability for accidents or damage to your vehicle or product caused by installation methods other than those described in this manual.
- This product is designed exclusively for JIMNY (JB64 and JB74). DO NOT use this product for any other model or vehicle type.
- DO NOT alter the product.
- It is recommended that this product be installed by a professional.
- Turn off the engine and ignition before installation.

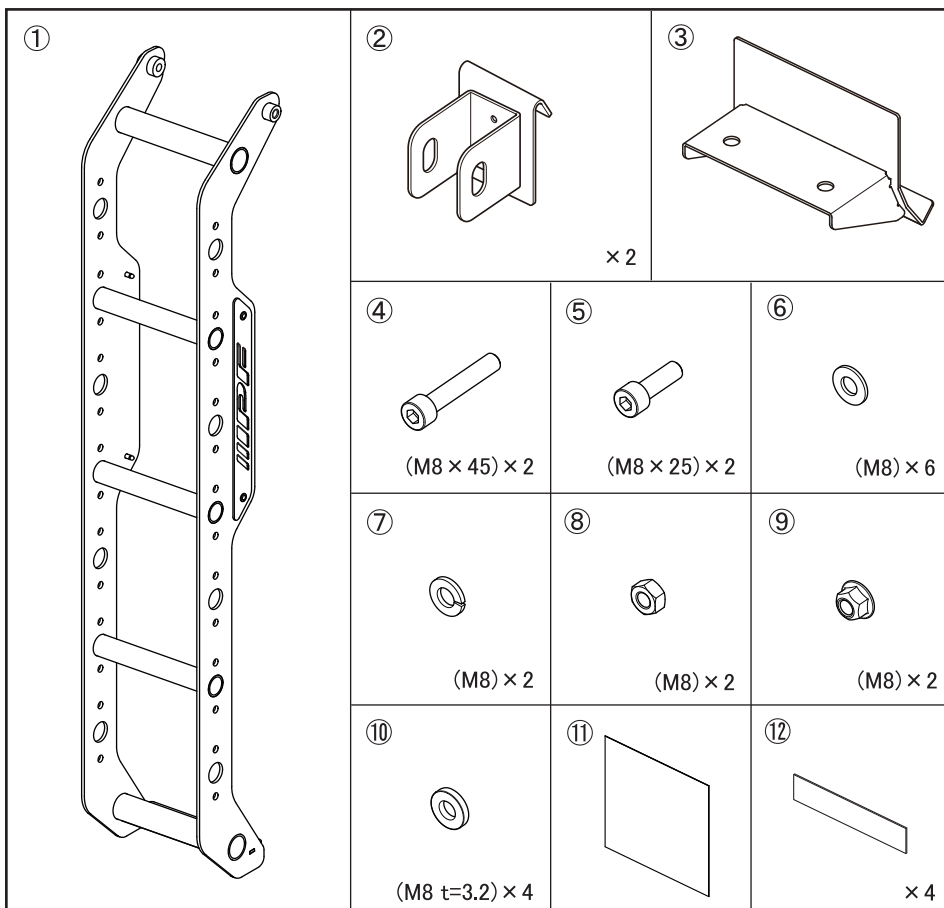
Warnings for use Warning

- DO NOT use the ladder when the tailgate is open.
- DO NOT apply a strong pull to your side when climbing up or down the ladder.
- Incorrect use of this product can lead to damage to the hinges on the vehicle side and deformation of the tailgate panel/frame, resulting in serious accidents such as falling or tipping over. In addition, these deformations can lead to leaks.
- DO NOT install lamps or any other accessories on the right side of the rear ladder. When opening the tailgate, it can come into contact with the vehicle and cause scratches and dents.

Precautions for use Caution

- DO NOT use this product for anything other than loading and unloading luggage on a roof carrier. However, optional IPF exclusive parts can be mounted on this product.
- Periodically check fittings for looseness.
- Stop using the product immediately if the ladder main unit or brackets are cracked or deformed.
- The load capacity of this product is 80 kg.
- Park your vehicle on a level surface before using this product.
- DO NOT wash the vehicle in a car washing machine after the installation. It may cause deformation of the tailgate and water entry to the vehicle.
- Please take care when using this product on slippery surfaces such as in the rain or snow.
- This product is not intended for off-road or rally use.
- Avoid strong impact and continuous vibration.

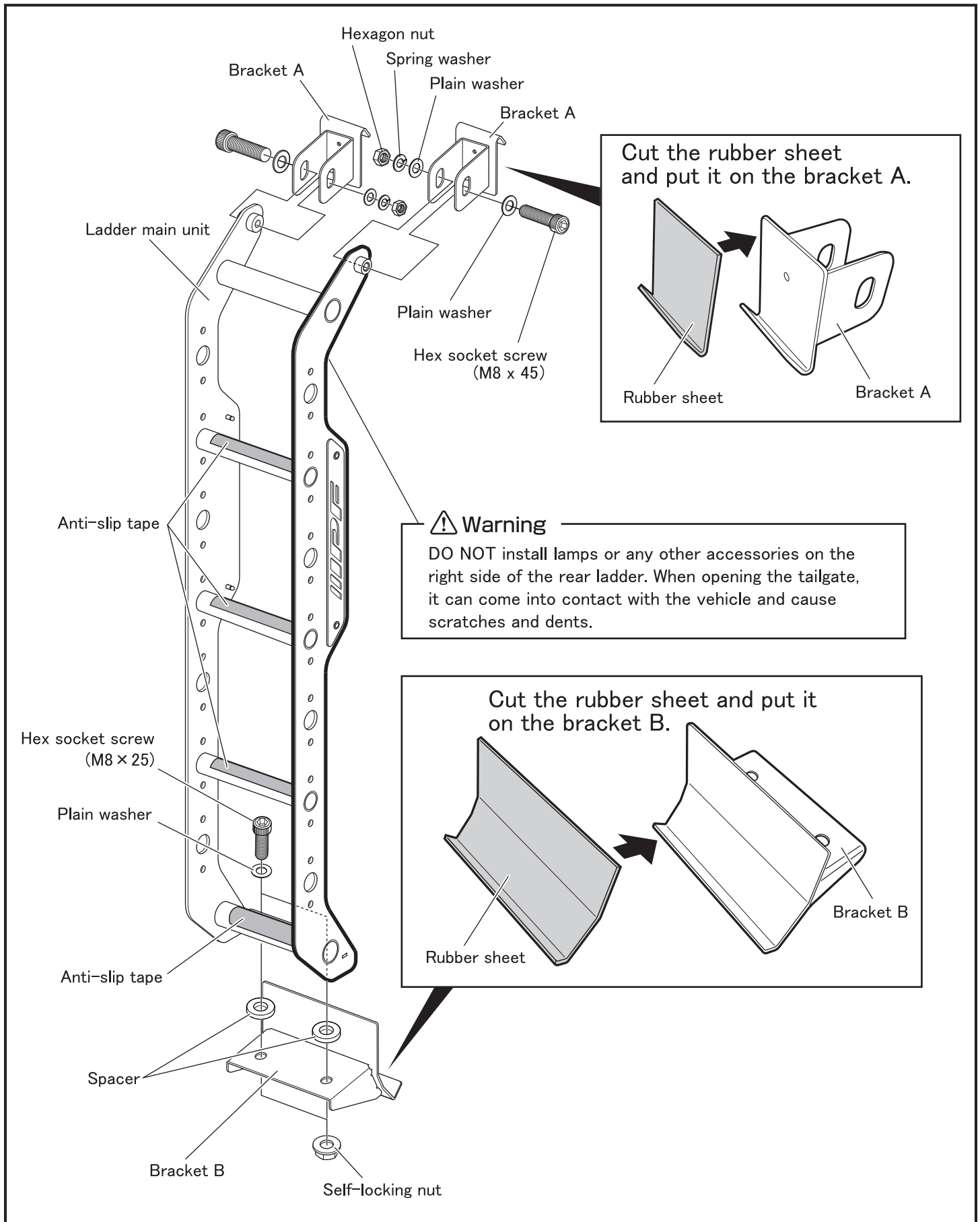
Component parts



No.	Part name	No. of pcs
①	Ladder main unit (aluminium)	1
②	Bracket A (SUS)	2
③	Bracket B (SUS)	1
④	Hex socket screw (M8 x 45)	2
⑤	Hex socket screw (M8 x 25)	2
⑥	Plain washer (M8)	6
⑦	Spring washer (M8)	2
⑧	Hexagon nut (M8)	2
⑨	Self-locking nut (M8)	2
⑩	Spacer (M8)	4
⑪	Rubber sheet	1
⑫	Anti-slip tape	4

1. How to assemble

- (1) Cut the rubber sheet according to the dimensions of the attachment surface of the brackets A and B respectively, and put each cut rubber sheet on the surface.
- (2) Temporarily assemble the brackets A and B to the ladder main unit.
- (3) Put the anti-slip tapes on the steps of the ladder main unit.

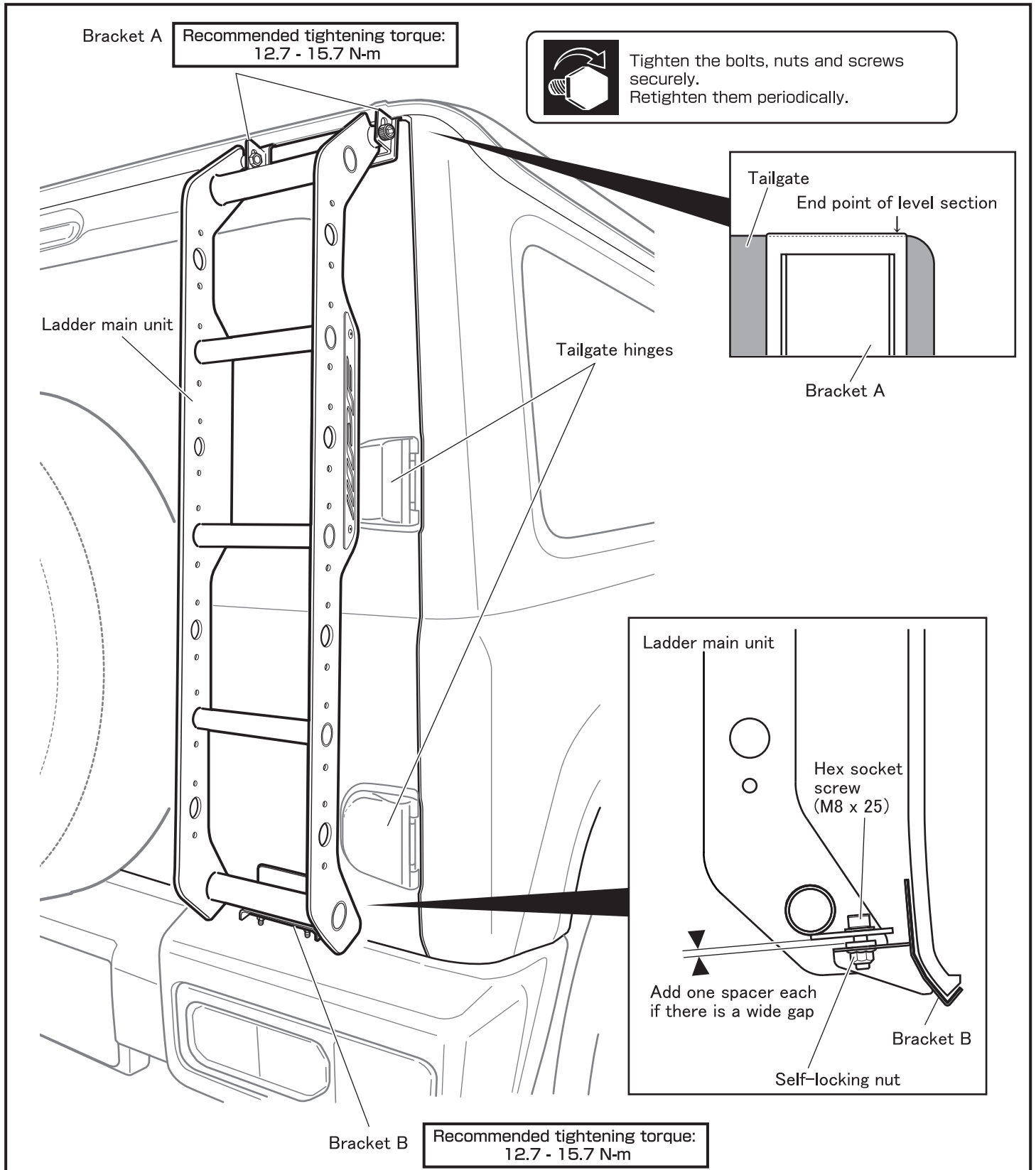


2. How to install

- (1) Place the brackets A on the upper part of the tailgate (on the hinge side) and the bracket B on the lower part. Adjust the mounting position of each bracket so that the ladder main unit is perpendicular to the ground when viewed from the rear of the vehicle.

Place the right side of the bracket A on the end point of level section. See the figure below.

- (2) After adjusting the mounting position of the ladder main unit, fix the bolts and nuts of the brackets A and B.
- (3) Check to see if there is a wide gap between the bracket B and the spacers due to individual vehicle differences. If required, add one spacer each to fix the ladder main unit and the vehicle body securely.



3. Check after installation

Note

Check the all brackets, ladder main unit and vehicle body for looseness or physical interference.



Tighten the bolts, nuts and screws
securely.
Retighten them periodically.

Complete installation view

