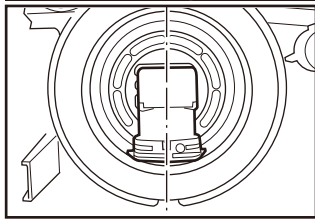


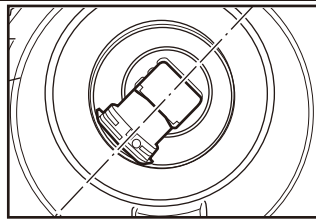
# LED Bulb installation manual (H11) Type Article number : 301HLB,302HLB,V303HLB

## LED Bulb fitting

### Angle of the bulb attachment

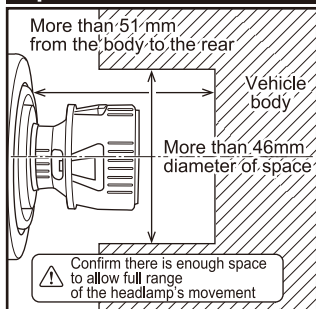


○ possible (Angle : vertical)

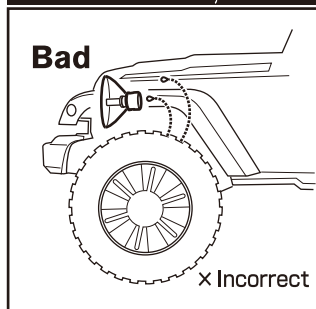


× impossible (Angle : diagonal)

### Space around the bulb



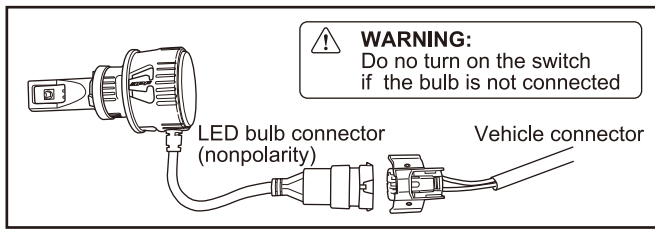
### Direct contact with water, dirt or dust



## LED bulb lighting test points ※Do it before installment

<Test procedure>

1. Connect the new parts to the vehicle's connector
2. Turn on the lamp, Test for correct lighting.
3. Check the vehicles gauges for any warning signs.  
If no warnings, the test is finished.



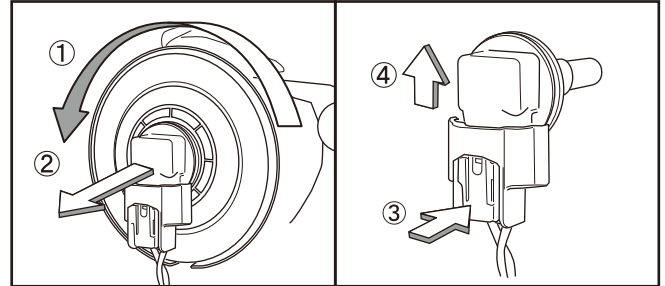
## 1 Genuine bulb check

Check the condition of the bulb's attachment.  
If the check cannot be done visually or the space is too narrow, please remove the headlamp unit from the vehicle.  
Refer to the vehicle's manual when changing or removing the headlamp.

## 2 Removing the bulb

Remove the bulb by referring to the figure below.

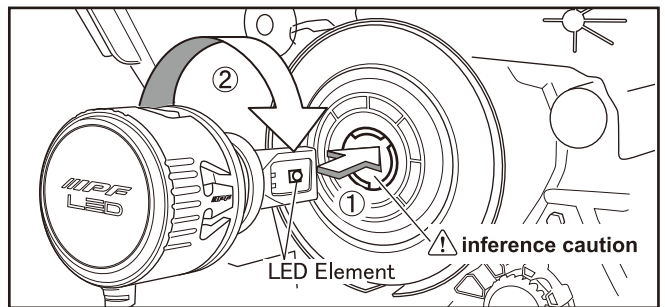
- ① Turn the bulb counter clockwise.
- ② Remove the bulb.
- ③ Push the tab to release the bulb
- ④ While still pushing the tab, pull the connector from the bulb



## 3 Attaching the LED bulb

Refer to the figure below.

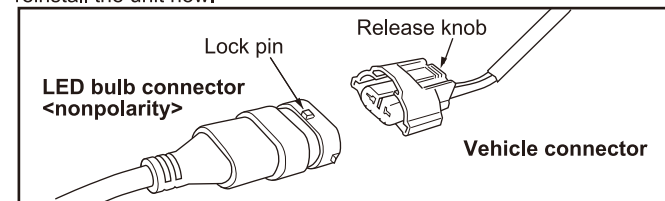
- ① Insert the LED bulb into the headlamp aligning it with the three grooves.
- ② Turn the LED bulb clockwise to lock it into place.



**CAUTION**  
Make sure there is no wobble and the LED bulb is secure in place.

## 4 Connecting the connector, fixing the harness

Connect the LED bulb with the vehicle's connector. Insert the connector all the way and align the lock pin.  
Make sure the connector is locked into place.  
If there is extra length in the harness, fix it into place with a standard cord clip.  
Leave a little slack in the harness to give room for the movement of the harness leveler. If you removed the headlamp unit, reinstall the unit now.



## 5 Lighting check

Turn on the engine. Switch on the headlamp.  
Check to see if the LED bulb lights up properly.  
Check to see if there is any light leaking from the bulb socket.  
If needed, adjust the optical axis with headlight tester.  
Excluding projector type bulbs, it's recommended to check optical axis and light distribution.

### ! Headlight tester measurement caution points

Results might vary when using the auto mode with the headlight tester.  
Manual mode is recommended.